

WINE MASTER

———— le temps d'être différent



Installation and user guide

Hygromaster®

INFORMATION STATED ON THE NAMEPLATE OF THE APPLIANCE :

- o Model :
- o Serial N° :
- o Date of purchase :

IMPORTANT : *It is recommended to note the serial number here above. It will be necessary for ordering spare parts and for warranty*

03/2019



Contents

1.	AUTOMATIC HYGROMETRY CONTROL.....	3
2.	INSTALLATION OF THE HYGROMASTER.....	3
2.1	Hygromaster installation.....	3
2.2	Water system installation.....	4
2.3	Connection of the water tank.....	6
3.	START UP	7
4.	USE.....	7
5.	MAINTENANCE / AFTER SALE.....	7
6.	WARRANTY	8
6.1.	Legal warranty.....	8
6.2.	2 years contractual warranty.....	8
6.3.	Warranty conditions	8
6.4.	Exclusions and limitations of warranty.....	9

Datas

Dimensions (in mm)	258x140x166
Weight	3 kg
Average power for humidification	75 w
Voltage	230V-240V
Average intensity for humidification	0.63 A
Frequency	50/60 Hz
Capacity of humidification	18.2g water/hour at 12°C
Length of power cord	1.5 M

1. AUTOMATIC HYGROMETRY CONTROL

Your WineMaster® air-conditioner controls naturally hygrometry. The hygrometry is then maintained between 65% and 85% of relative humidity. The excess runs towards a draining overflow .

Since it depends on the external hygrometry which strongly varies according to the area, the season and the weather, the hygrometry cannot be completely kept at a set value..

The hygromaster® will assume its full relevance in winter when the temperatures are low and the relative hygrometry is very low.

In this case, it will be necessary to provide additional moisture thanks to hygromaster®. Since it is a steam generator, it will produce completely clean moisture.

IMPORTANT: the control of hygrometry and the good operation of the air-conditioner require: -see user guide of the air conditioner Winemaster:-

- Complete insulation of the cellar (walls, floor, ceiling, door) with a tight insulating material
- Perfect continuity of the insulation (no gaps, nor thermal bridges)
- No other ventilation than the one of the air conditioner
- Lack of heat source (fridge, heating pipe...)

2. INSTALLATION OF THE HYGROMASTER**2.1 Hygromaster installation**

Your hygromaster® can be suspended on a wall using screws in the holes intended for this purpose or simply placed on the ground or on a stable shelf preferably more than a meter away from the air conditioner.

However, avoid placing your hygromaster® on a wooden support which would absorb the moisture and could become deformed

In any case, it's essential that the hygromaster® is on level (horizontal).

Connection to a tank of a few liters is required for gravity feed

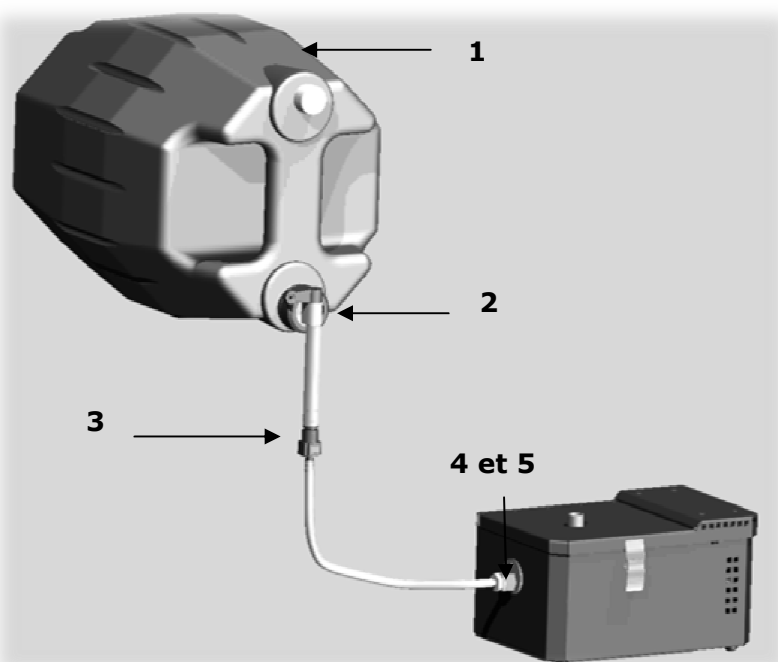


- **The direct connection to the water network is forbidden, use the supplied water tank**
- **Please fulfill exclusively hygromaster® using demineralized water to avoid any failure related to the scaling of the device**
- **Interdiction of electric components under**
- **Hygromaster ® must be connected to a standard 230V, 16A, 50Hz earth socket.**

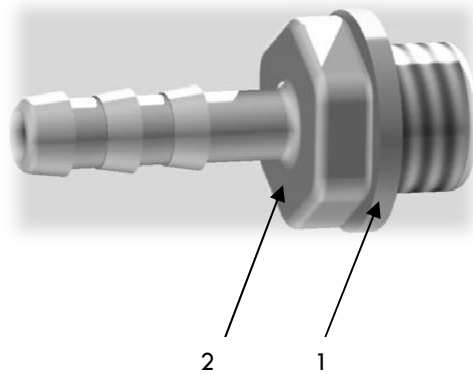
2.2 Water tank installation

The water tank kit is composed of :

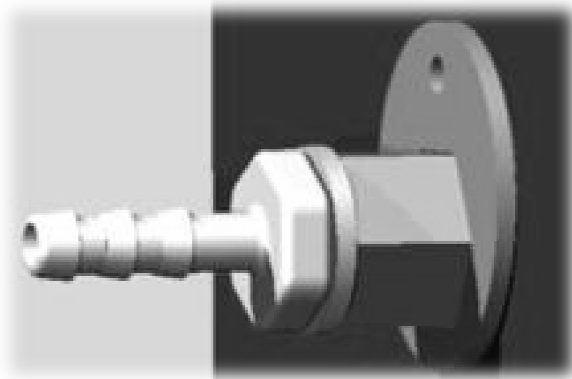
- 1 tank with a capacity of 20 liters (1)
- A tap screw connected to a flexible pipe $\varnothing 16$ mm and a female coupling (2)
- A flexible hose $\varnothing 8$ mm length 3 m connected to a quick buck (3)
- A sleeve screw $\frac{1}{4}$ inch (4)
- A rubber seal (5)



- Slide the rubber seal 1 on the thread sleeve screw 2

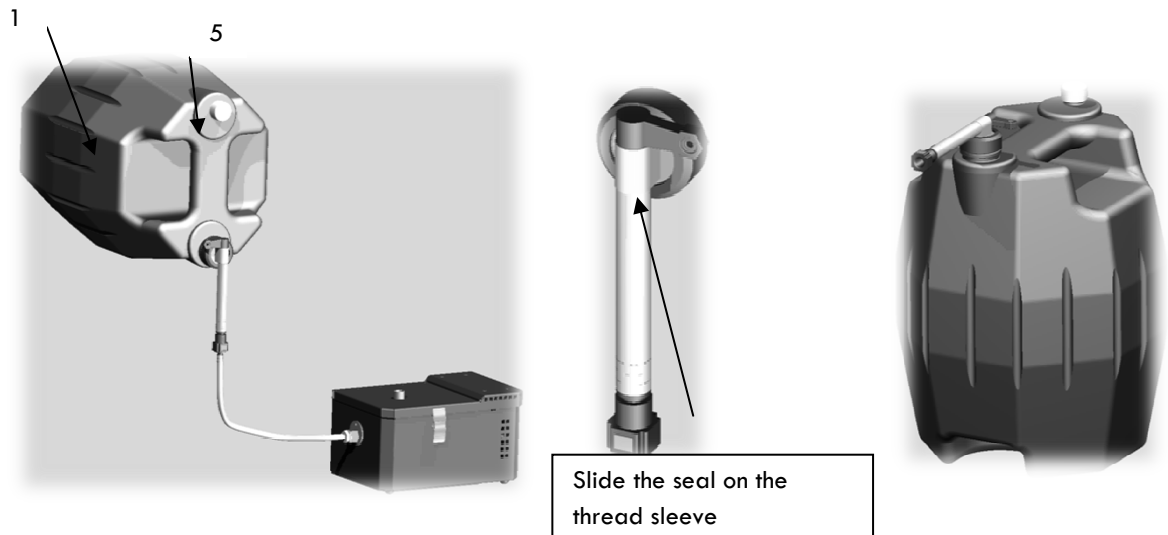


- Screw the sleeve and the seal to the connector located on the back of the device as shown on the picture :

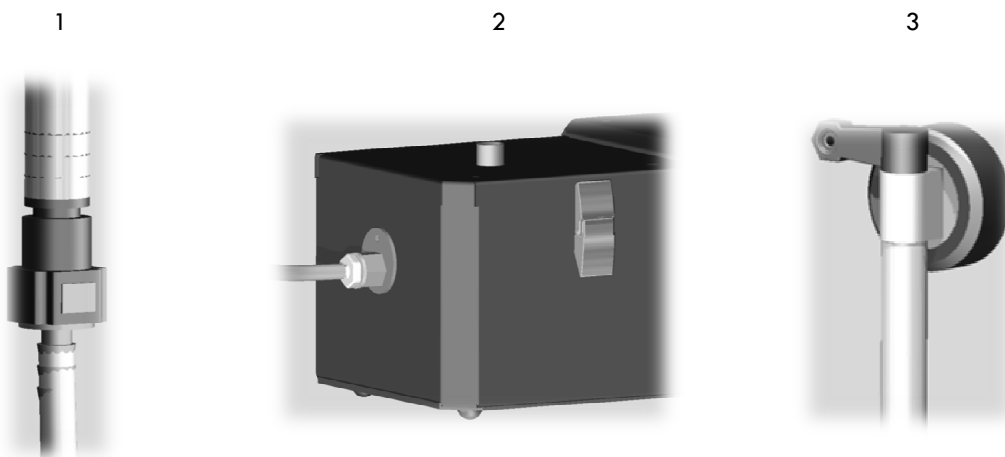


- Set the tank upright
- Loosen the large cap (filling)
- Fill the tank with water at approx $\frac{3}{4}$ of its capacity
- To avoid foaming do not use rainwater
- Turn the valve handle clockwise to close the flow of water
- Screw all tap, hose and female connector on the tank upright

2.3 Connection to the water tank of hygromaster®



1. Set the tank upright
2. Connect the quick buck to the female connector
3. Cut the flexible hose \varnothing 8 mm to the wanted length and connect it on the sleeve of the hygromaster®
4. Turn the tap handle to the left
5. Loosen the small cap tank half a turn to create an air inlet.

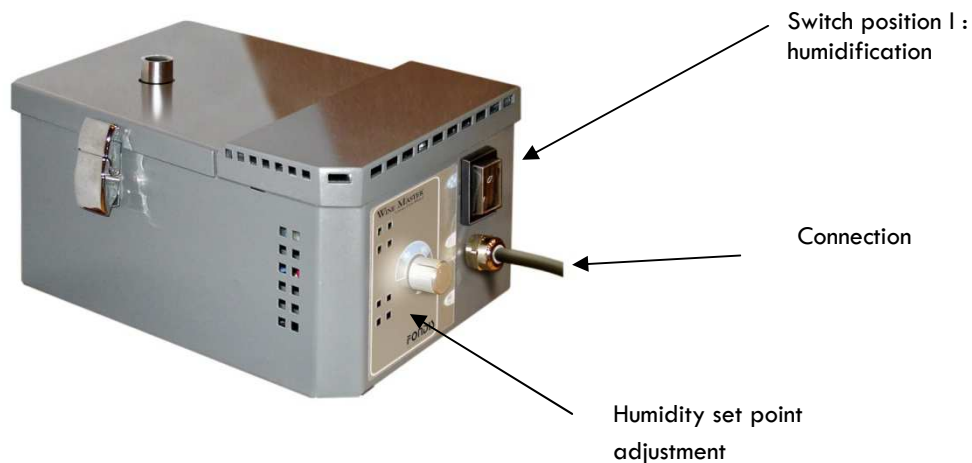


3. START UP

- Once the connections made, put the switch on « 1 »
- Close the hygromaster® cover



Leave the cover closed when the switch is on position I.



Switch position I : humidification

- hygromaster® fills up
- The cover must be kept closed
- Adjust the set point to the required range (between 60 and 80%)
- If necessary, hygromaster® will humidify the air

4. USE

- In winter switch hygromaster® in humidification position (I)
- Check and fill the water tank regularly
- In summer, stop humidification (position "0") to prevent the disruption of refrigeration and the excessive production of condensate.

5. MAINTENANCE / AFTER SALE

Attention with the risks of burns particularly on sheets around the tub.



If you notice scale deposits in the tank, unplug the hygromaster® and clean it with descaling product (let the product work in the tank for a few hours before emptying it). Use only demineralized water.

In case of any questions, do not hesitate contact your retailer or Winemaster customer's service.

Problems / solutions

Problems	Solutions
Hygrometry set point not achieved	<ul style="list-style-type: none"> - Insulation or tightness lack - Lack of water - Make sure that there are no drying factors (central heating pipes, boiler, refrigerators, freezers, wine cooling cabinets...)
Overflow	<ul style="list-style-type: none"> - Fulfill exclusively hygromaster® using demineralized water to avoid any failure related to the scaling of the device - The connection to the water network is forbidden, use the supplied water tank.

6. WARRANTY**6.1 Legal warranty**

The contractual warranty is not exclusive, the fundraiser for the purchaser profit of the legal warranty against latent defects that applies in terms of articles 1641 and following from the Civil Code.

6.2 2 years contractual warranty

Hygromaster® is under a 2 years contractual warranty against any manufacturing defect. During this period of contractual warranty, WINEMASTER will replace any parts that have a manufacturer's defect

In the event of a power failure, WINEMASTER will replace any part that is found to be defective as a result of the intervention of the qualified dealer or his representative.

Factory returns must be made after written agreement of the WINEMASTER after-sales service

6.3 Warranty conditions

The contractual warranty applies to all appliances installed and used in conformity with this « User manual". Its application is conditioned by the presentation of the purchase invoice or for lack of its copy

6.4 Exclusions and limitations of warranty

The warranty can be refused in the following cases:

- Insulation of the cellar or installation of the appliance not in compliance with the instructions of this guide.
- Damage due to negligence, lack of maintenance or incorrect use of the WINEMASTER® (particularly dirty filters).
- Exchange or repair of parts under warranty will not extend the 2 years warranty period

WINEMASTER cannot, in any case, be held liable for any direct or indirect damages resulting from the failure of the air conditioner. **The warranty is exclusively limited to the product itself.**



The European Community, attaching a great importance to the environment and the waste processing, set up Directive 2002/96/CE relating to the Electric and Electronic Component waste.

In accordance with this standard, the logo "barred dust bin" is obligatory.

This logo means that this product cannot be thrown in the household shelter.

It must be given to a suitable collection point for the treatment, valorisation, recycling of Electric and Electronic components.

Acting like that you make a gesture for the environment and you contribute to the safeguarding of the natural resources as well as to the protection of human health.