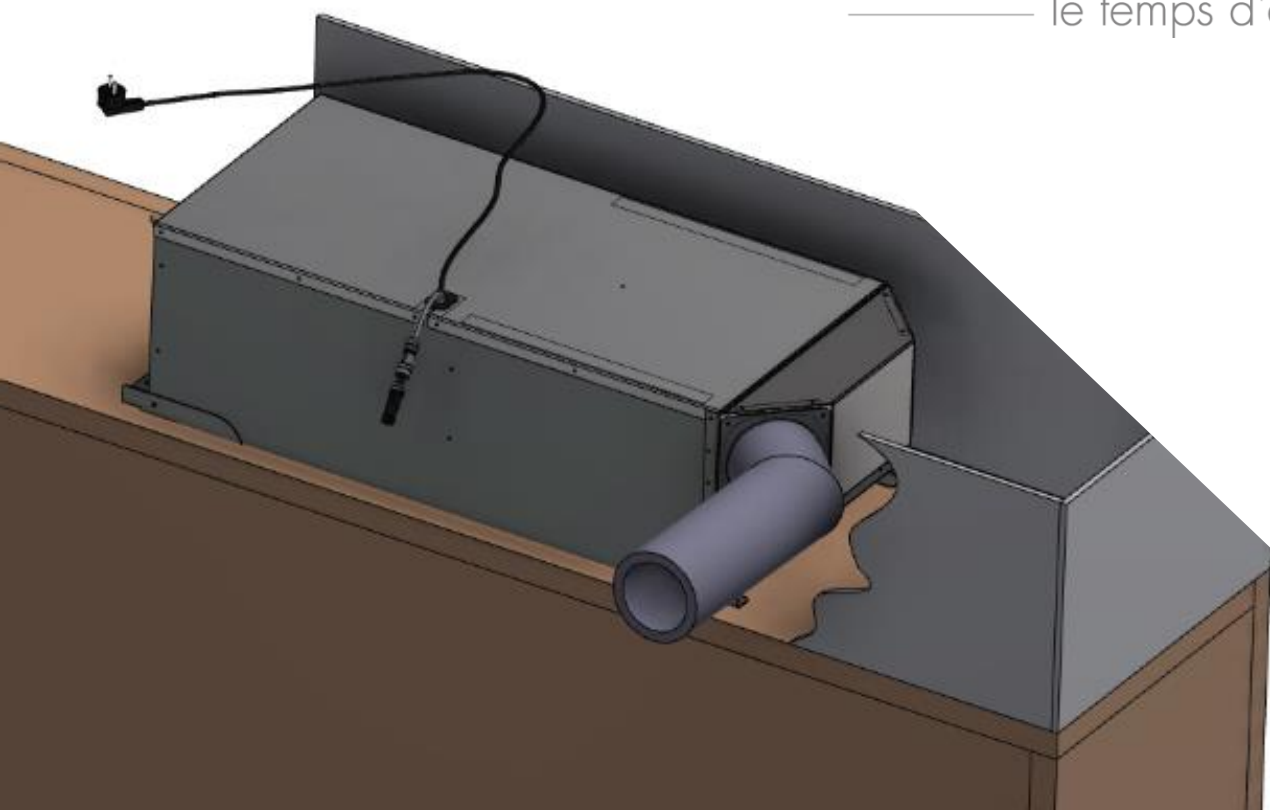




WINE MASTER

———— le temps d'être différent



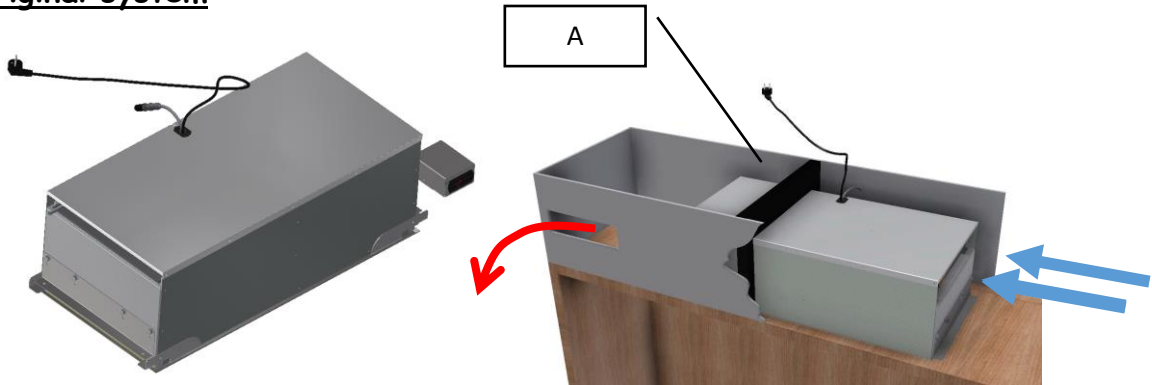
ARM15 KIT D'AIR D125

Comprehensive manual of the kit of air for ARM15

02-2020

ARM15 Kit air D125mm

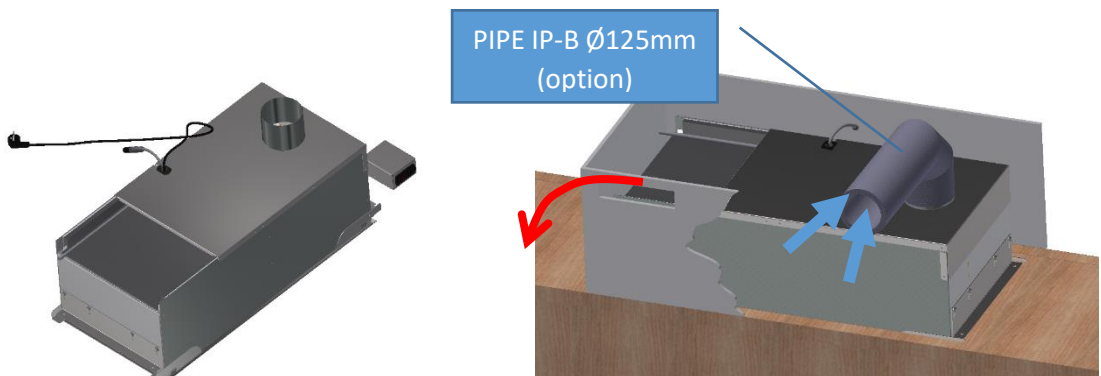
Original system



The free cross-section of each grid is 200 cm². Separation "A" is not provided.
Be sure to seal this separation.

System with Kit air intake D125mm (option)

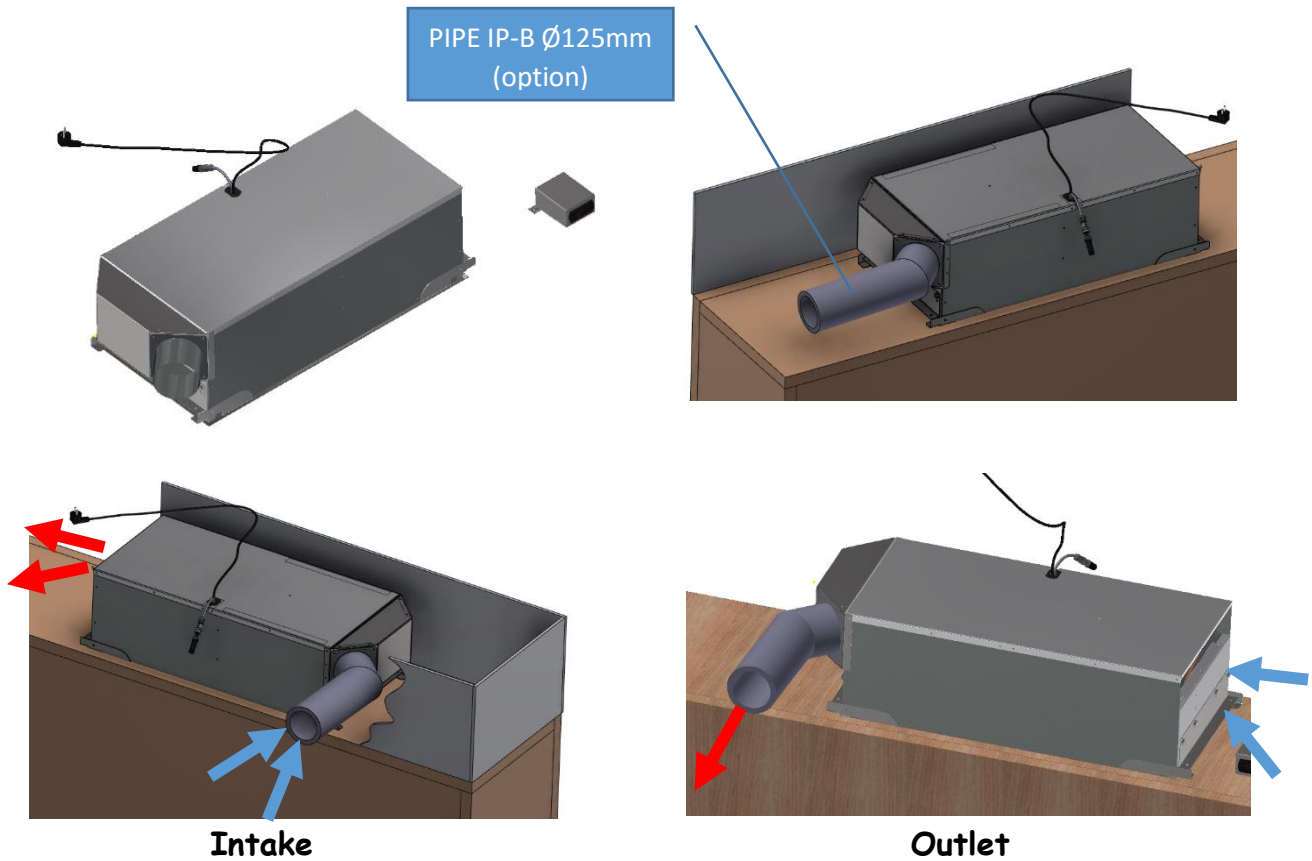
In order to control the intake, you can add this kit at your ARM.



The free cross-section of each grid is 200 cm². With the kit, the separation A is not required. **However, make sure that the distance between air intake and exhaust is sufficient to avoid that the hot air is recycle.**

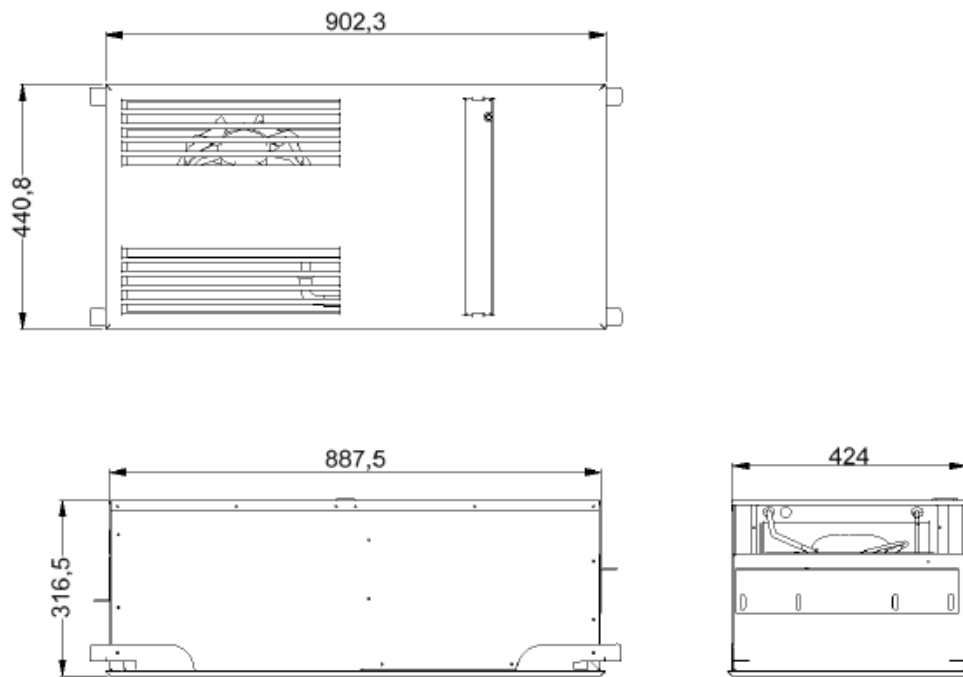
System with Kit air outlet or/and intake D125mm (option)

In order to control the intake or/and outlet, you can add this kit at your ARM.

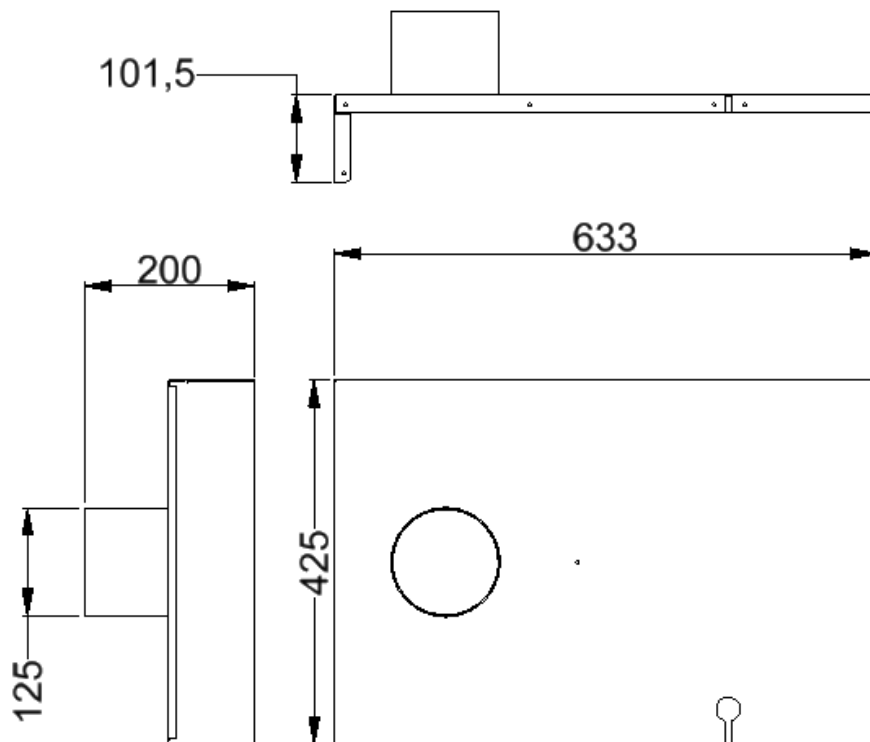


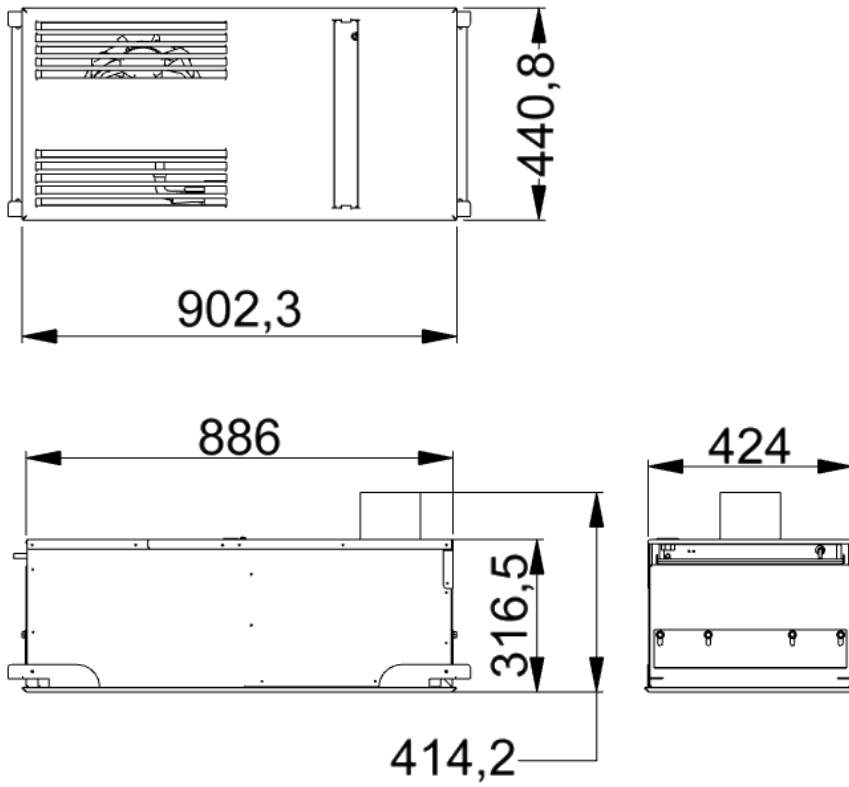
The free cross-section of each grid is 200 cm². With the kit, the separation A is not required. **However, make sure that the distance between air intake and exhaust is sufficient to avoid that the hot air is recycle.**

Overall dimensions.

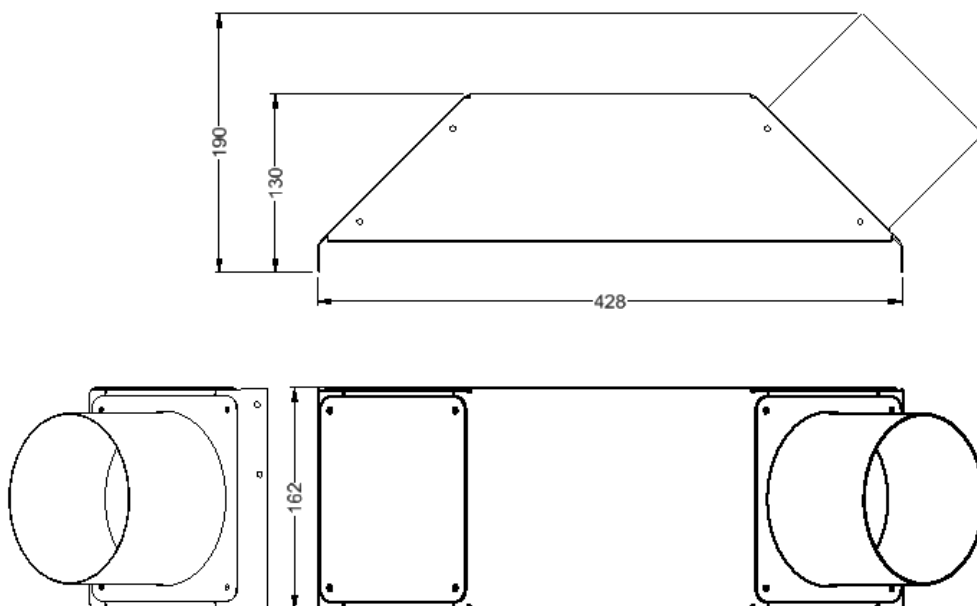


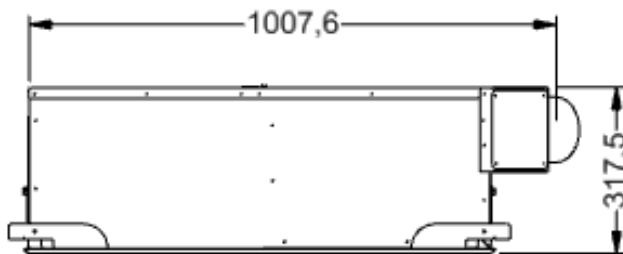
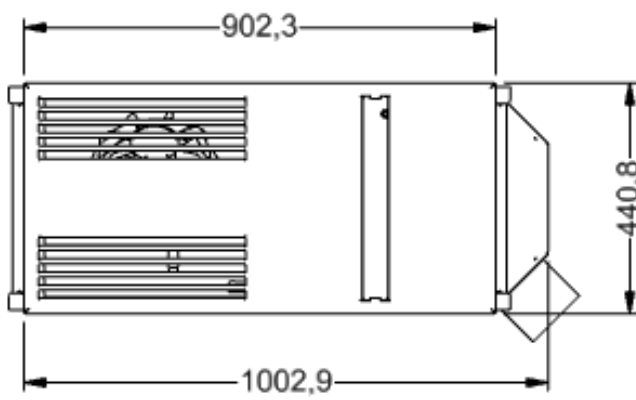
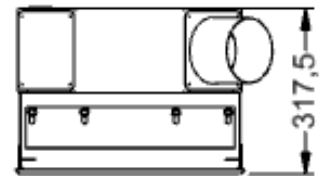
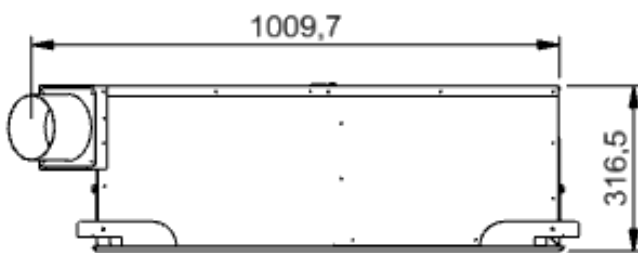
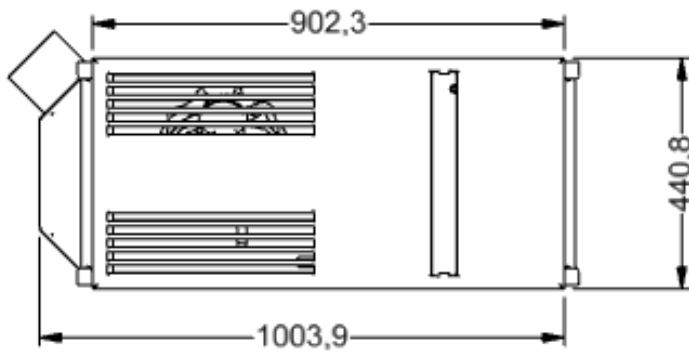
Kit air intake D125 (option: W1391)





Kit air D125 (option: W1393)





IP-B D125 (option)

REF	Description	VIEW
W2550	PIPE D1250 – 2M	
W2551	CLAMP D125	
W2552	ELBOW 90° D125	
W2553	ELBOW 45° D125	
W2554	SLEEVE D125	