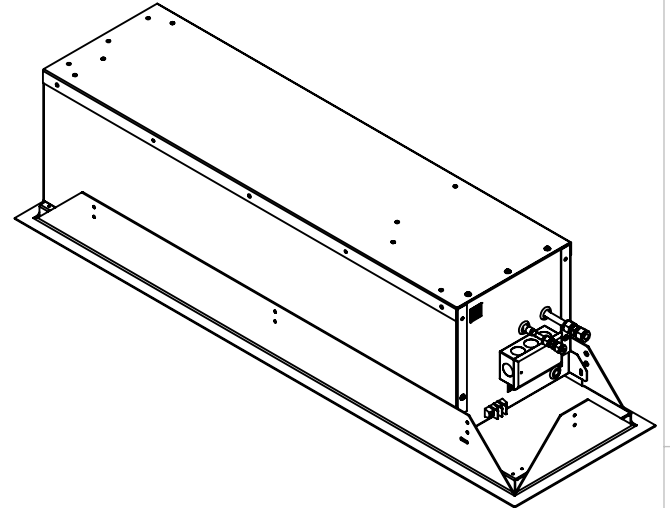
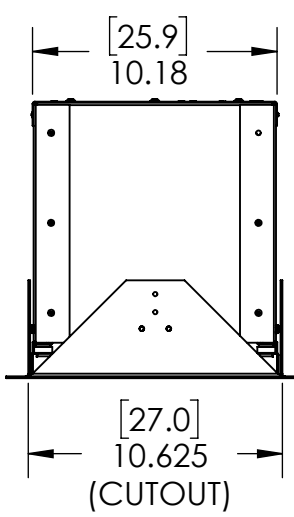


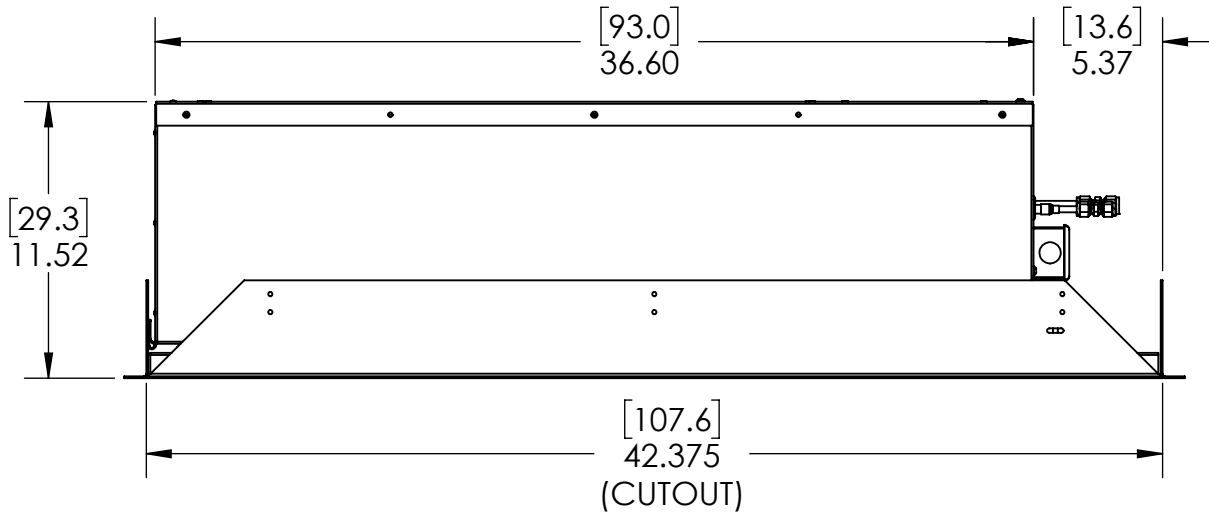
TOP VIEW



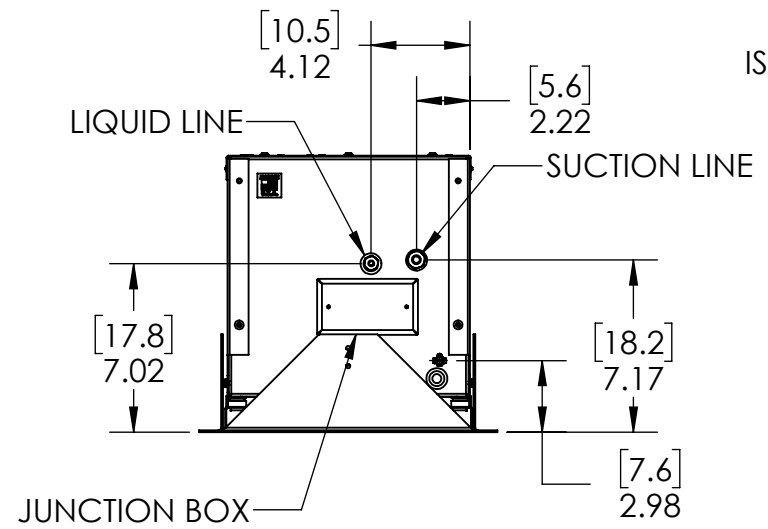
ISOMETRIC VIEW



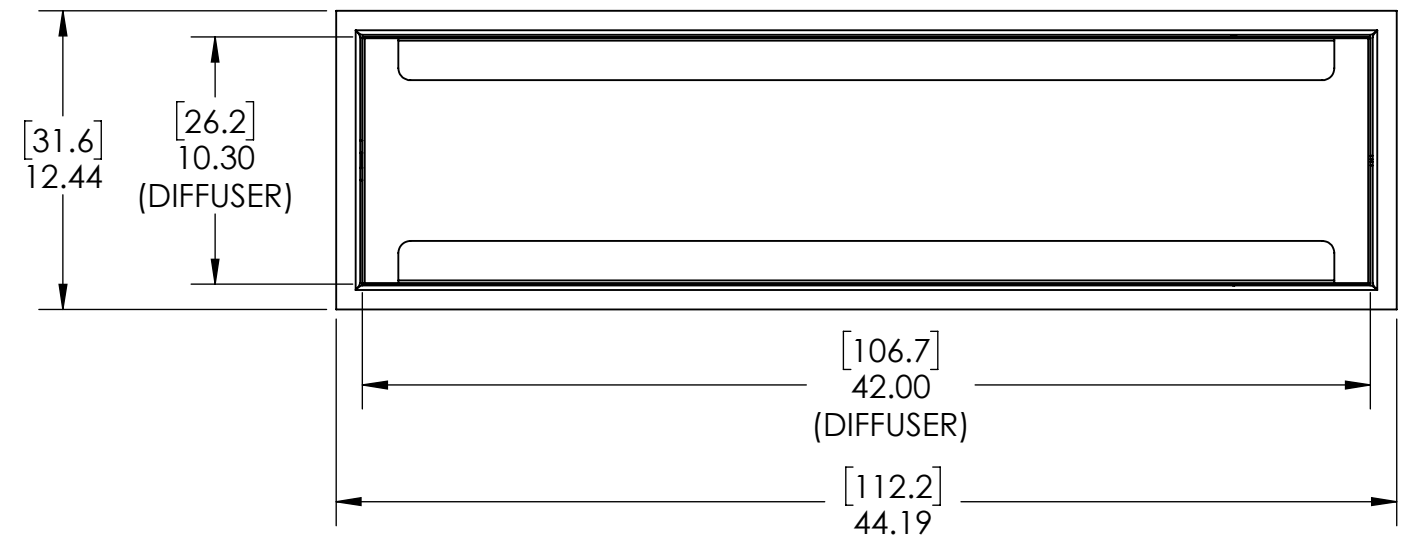
LEFT VIEW



FRONT VIEW



RIGHT VIEW



BOTTOM VIEW

DIMENSIONS SHOWN WITH [] ARE CM

UNLESS OTHERWISE SPECIFIED:	DRAWN	NAME	DATE
DIMENSIONS ARE IN INCHES	NAR		02/13/23
TOLERANCES:	CHECKED		
FRACTIONAL ± 1/16	ENG APPR.		
ANGULAR: MACH ± 2 BEND ± 2	MFG APPR.		
TWO PLACE DECIMAL ± .03			
THREE PLACE DECIMAL ± .015			
INTERPRET GEOMETRIC TOLERANCING PER:	MATERIAL		
COMMENTS:	MODEL:		
-			
DO NOT SCALE DRAWING			

AIR INNOVATIONS®
 7000 PERFORMANCE DRIVE, SYRACUSE, NY 13212, Tel. 315-452-7400

TITLE:
CS025WW, CS050WW

SIZE B	DWG. NO.	CEILING UNIT WINE WALL	REV ~
------------------	----------	---------------------------	----------

SHEET 1 OF 1