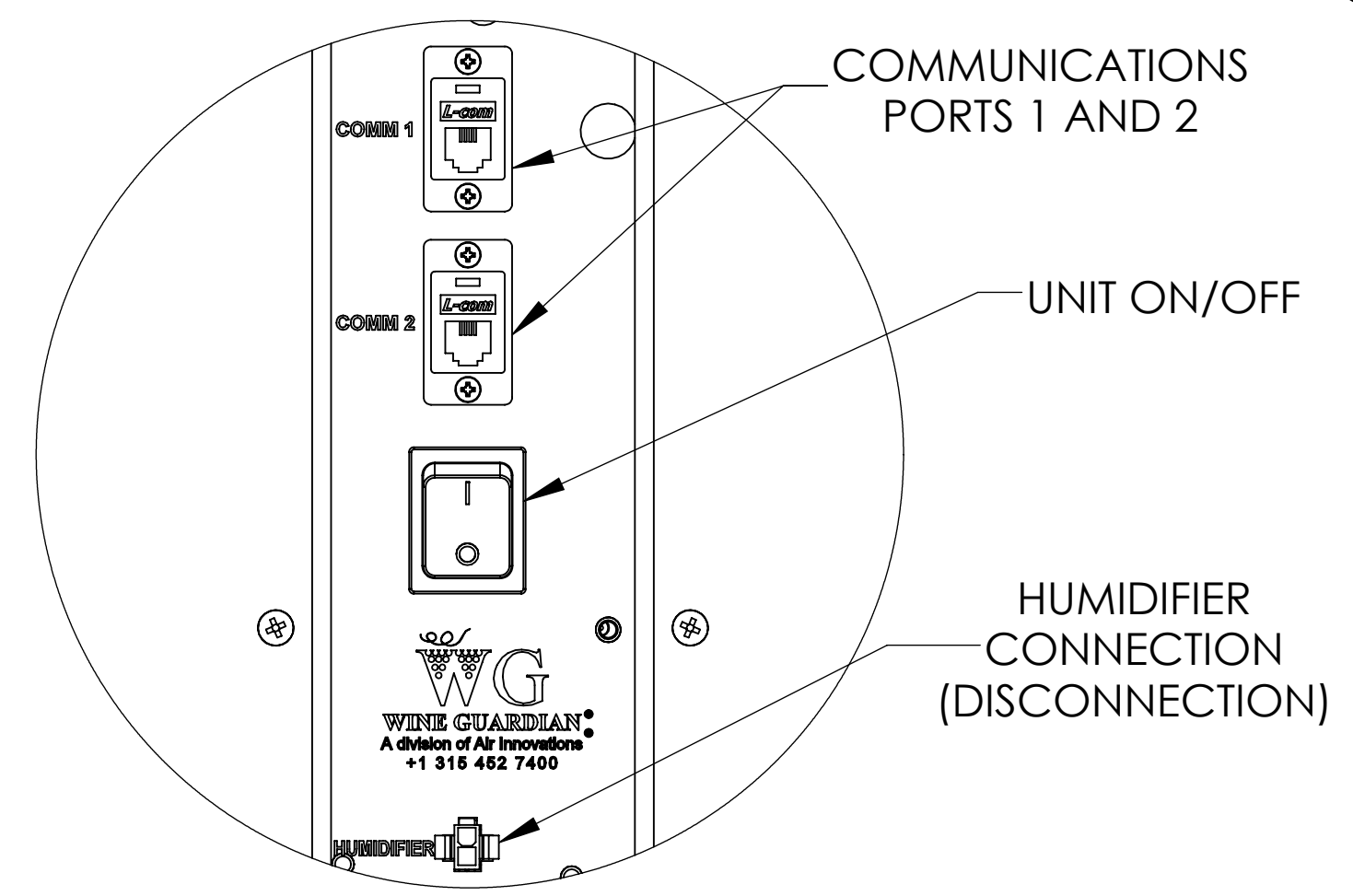
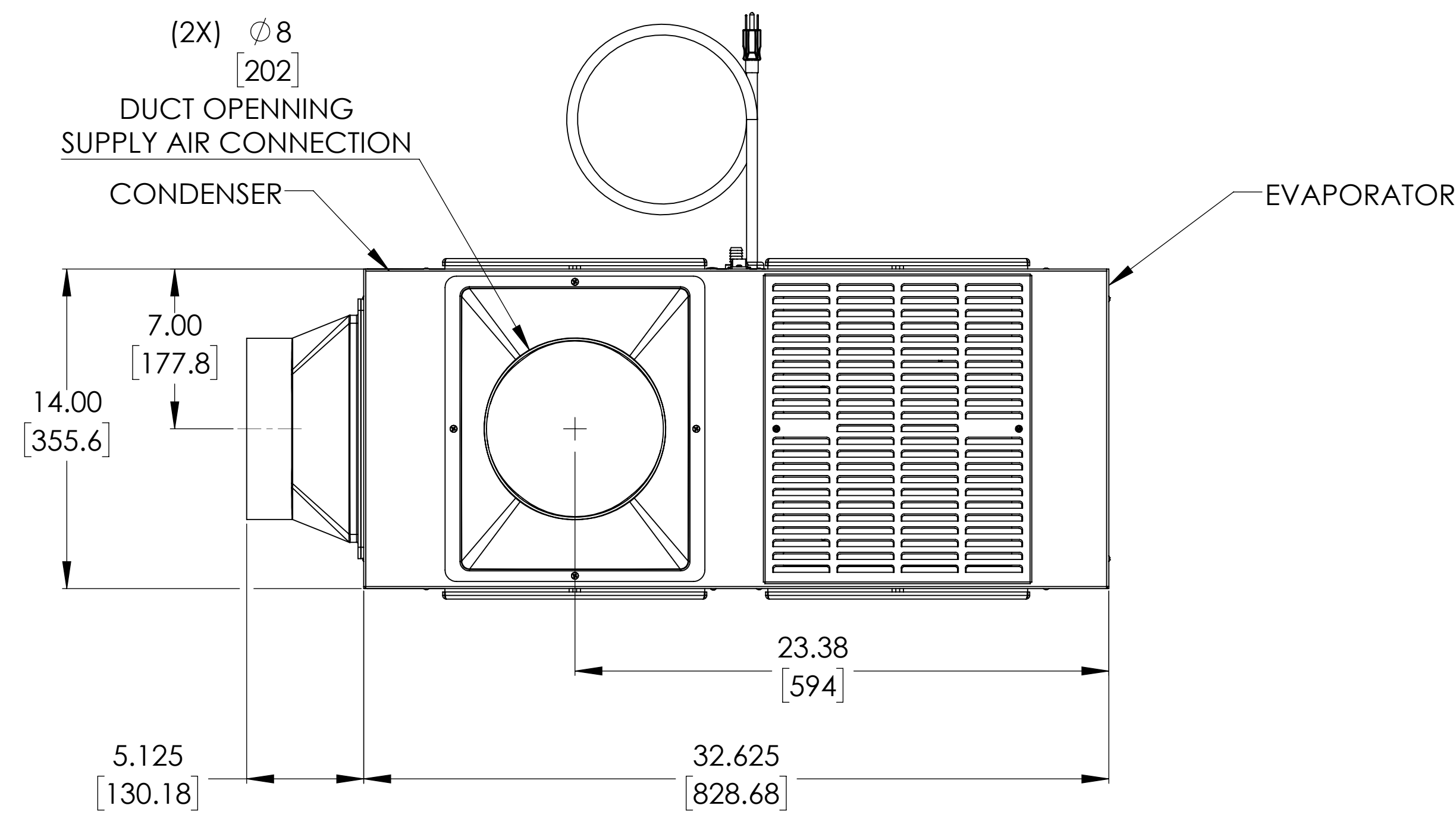
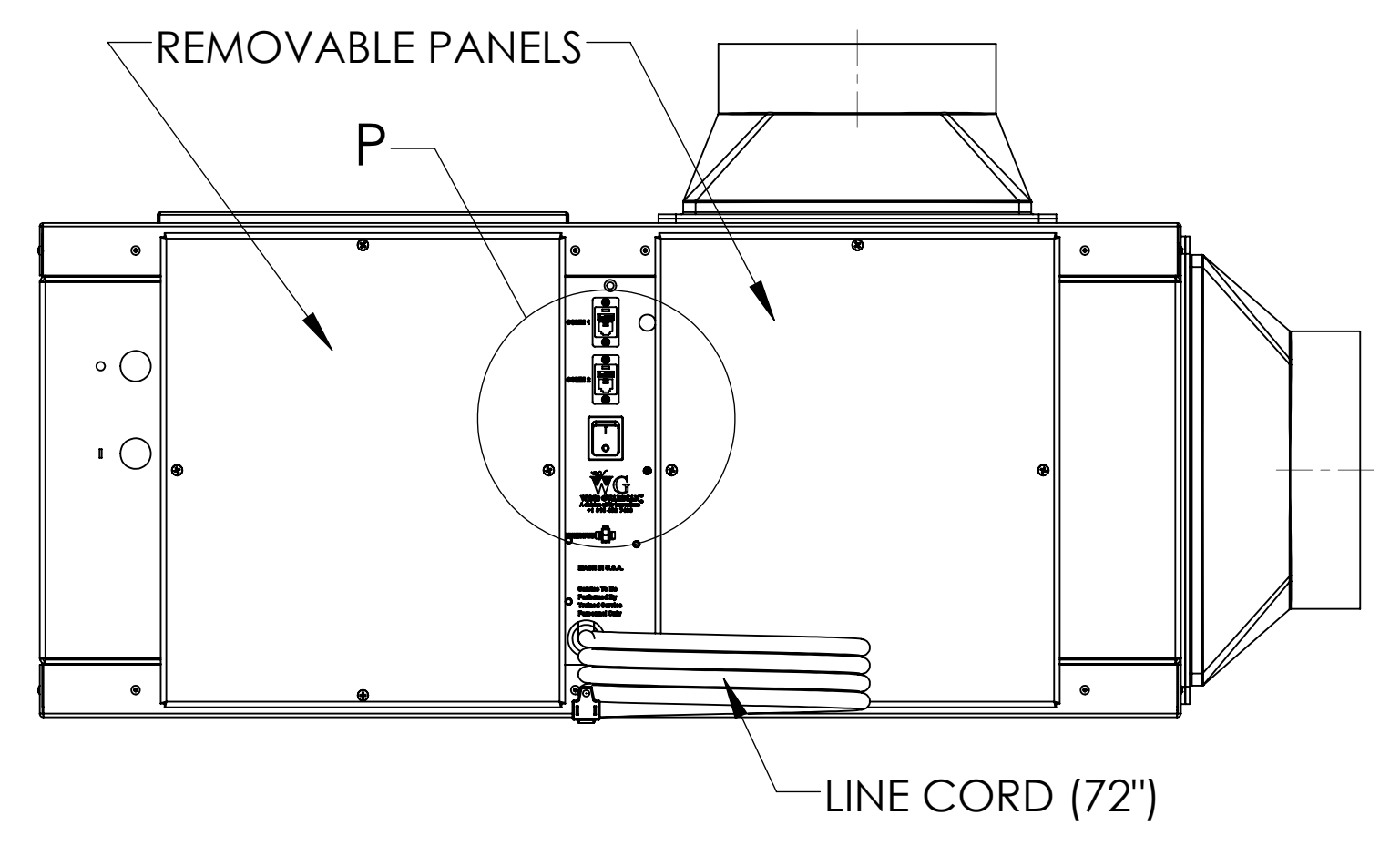
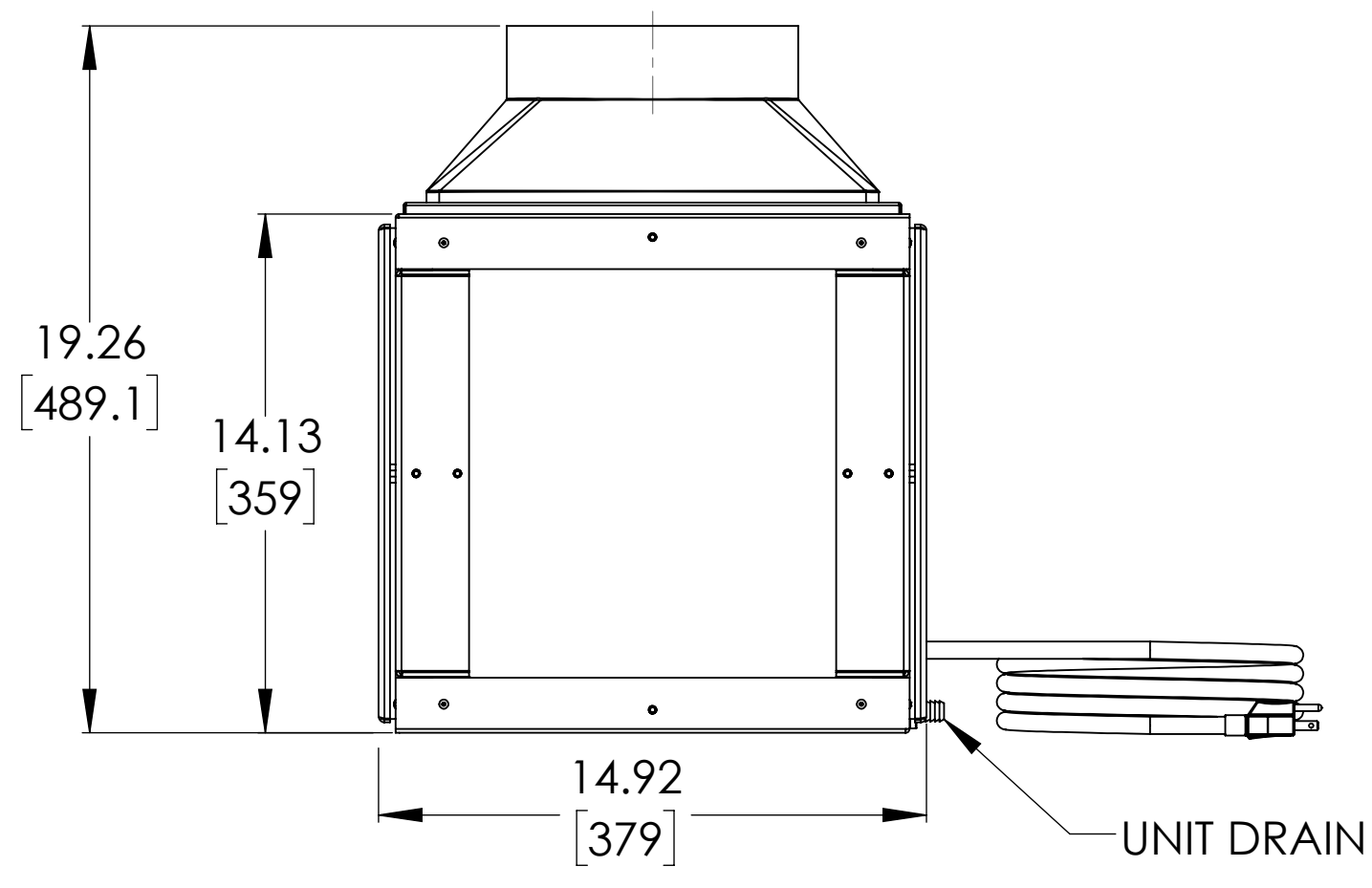
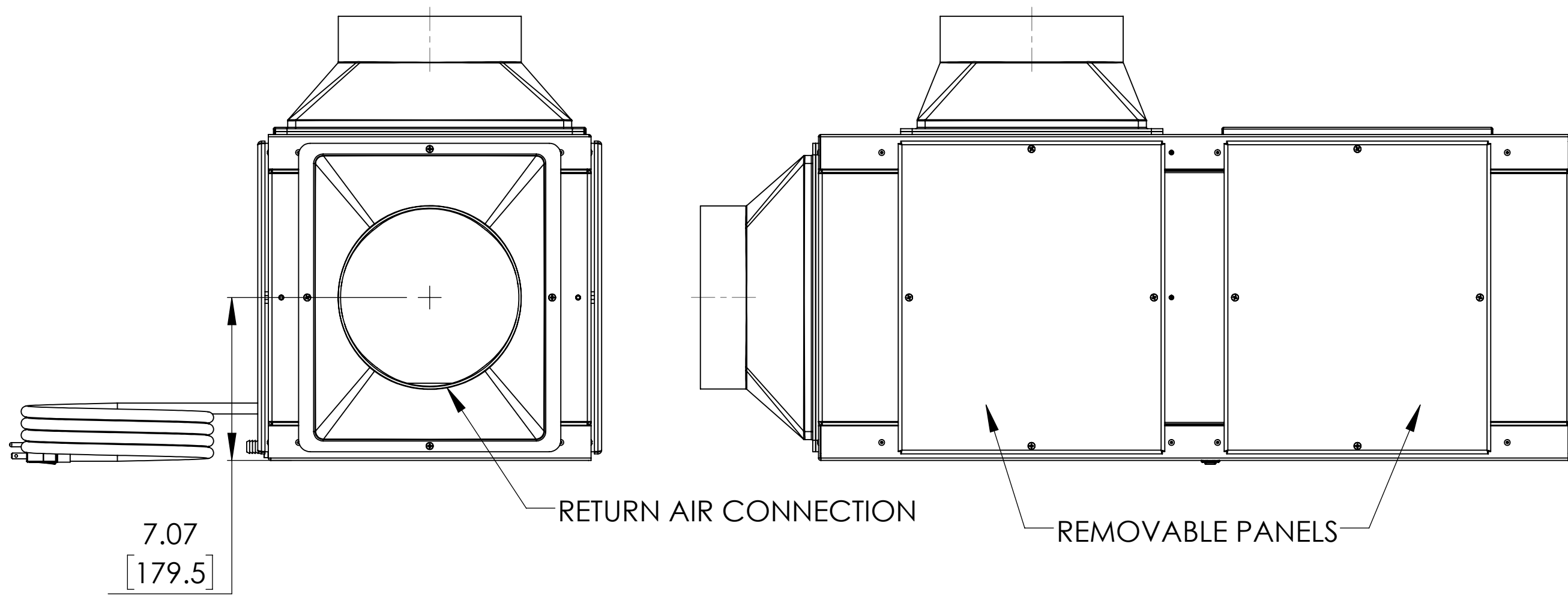
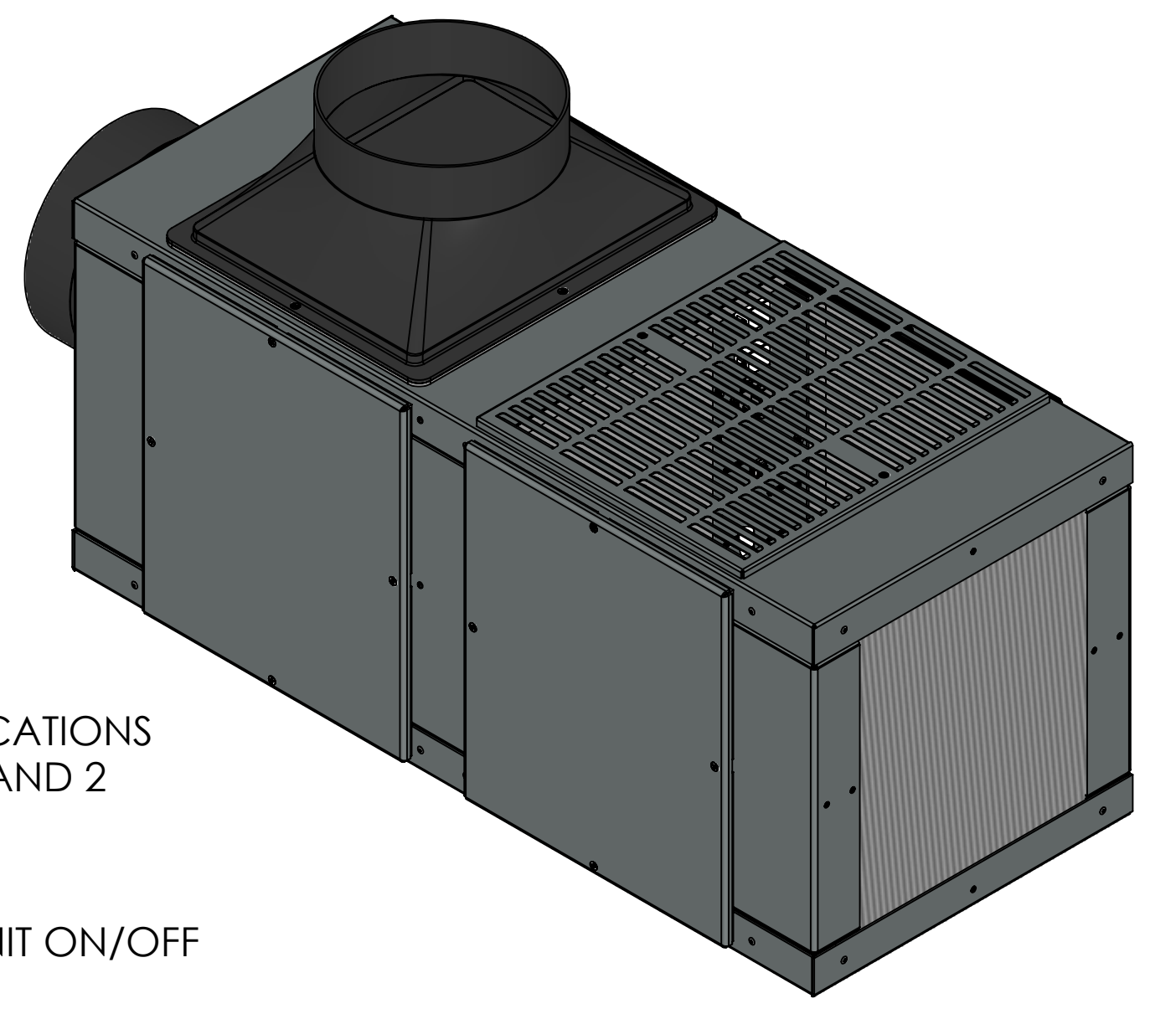


NOTES:

1. DIMENSIONS ARE IN INCHES AND MILLIMETERS.
2. DIMENSIONS ARE FOR REFERENCE ONLY.



DETAIL P
 SCALE 1 : 1.5



AIR INNOVATIONS®
 7000 PERFORMANCE DRIVE, NORTH SYRACUSE, NY 13212; Tel. 315-452-7400

	NAME	DATE
DRAWN	BAP	04/12/2018
APPROVAL		
APPROVAL		
COMMENT		

TITLE:
**WINE GUARDIAN
 D025 AND WG40**

SIZE
D DO NOT SCALE