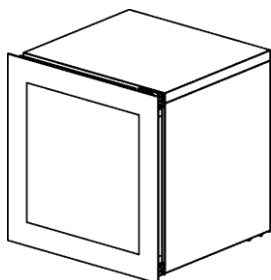
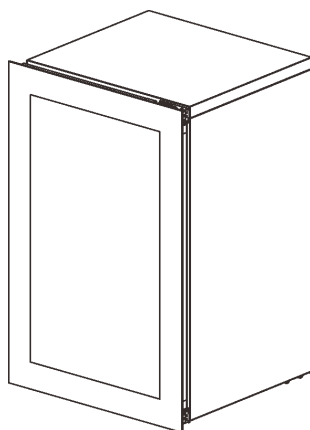


# WINE COOLER

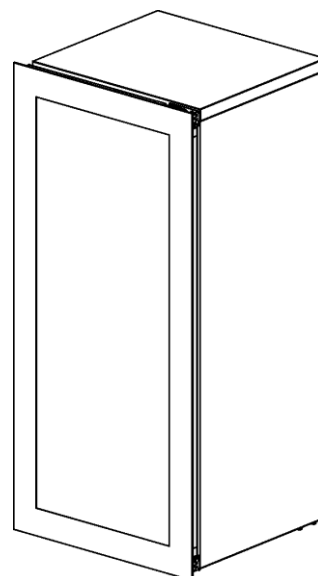
## USER GUIDE



**PIM41D-BP**



**PIM48D-BP**



**PIM72D-BP**

[www.pevino.com](http://www.pevino.com)  
Danish p. 23 German p. 45

**BEFORE USE, PLEASE READ AND FOLLOW ALL SAFETY RULES AND OPERATING INSTRUCTIONS.**

## WARNING!

- To prevent damaging the door gasket, make sure to have the door all the way opened when pulling shelves out of the rail compartment.
- The appliance must be positioned so that the plug is accessible. Release the electric cord. Move your cabinet to its final location. Do not move your Cabinet while loaded with wine. You might distort the body. The wine cellar should be installed in a suitable place in order to avoid Touching the compressor with the hand.
- This appliance is not intended for use by persons (including children) with reduced physical, sensory, or mental capabilities, or lack of experience and knowledge, unless they have been given supervision or instruction concerning use of the appliance by a person responsible for their safety.
- Children should be supervised to ensure that they do not play with the appliance.
- If the supply cord is damaged, it must be replaced by manufacturer of its Service agent or a similarly qualified person in order to avoid a hazard.

This appliance can be used by children aged from 8 years and above and persons with reduced physical, sensory, or mental capabilities or lack of experience and knowledge if they have been given supervision or not play with the appliance. Cleaning and user maintenance shall not be made by children without supervision.

– **WARNING:** Keep ventilation openings, in the appliance enclosure or in the built-in structure, clear of obstruction.

– **WARNING:** Do not use mechanical devices or other means to accelerate the defrosting process, other than those recommended by the manufacturer.

– **WARNING:** Do not damage the refrigerant circuit.

– **WARNING:** Do not use electrical appliances inside the food storage compartments of the appliance, unless they are of the type recommended by the manufacturer.

This refrigerating appliance is not suitable for freezing foodstuffs.

Do not store explosive substances such as aerosol cans with a flammable propellant in this appliance.

This appliance is intended to be used in household and similar applications such as

- staff kitchen areas in shops, offices, and other working environments.
- farmhouses and by clients in hotels, motels, and other residential type environments.
- bed and breakfast type environments.
- catering and similar non-retail applications.

–**WARNING:** To avoid a hazard due to instability of the appliance, it must be fixed in accordance with the instructions.

To avoid contamination of wine, please respect the following instructions:

- Opening the door for long periods can cause a significant increase of the temperature in the compartments of the appliance.
- Clean regularly surfaces that can come in contact with bottles and accessible drainage systems.
- Clean water tanks if they have not been used for 48 h; flush the water system connected to a water supply if water has not been drawn for 5 days.
- If the refrigerating appliance is left empty for long periods, switch off, defrost, clean, dry, and leave the door open to prevent mold developing within the appliance.

**PLEASE DON'T TRY TO PLUG INTO OR EXTENSION THE CABLE IN ANY CASE.**

## IMPORTANT SAFETY INSTRUCTIONS

### ⚡WARNING⚡

To reduce the risk of fire, electrical shock, or injury when using your appliance, follow these basic precautions:

- Read all instructions before using the Wine cooler.
- **DANGER or WARNING:** Risk of child entrapment. Child entrapment and suffocation are not problems of the past. Junked or abandoned appliances are still dangerous . . . even if they will “just sit in the garage a few days”.
- **Before you throw away your old Wine cooler:** Take off the door. Leave the shelves in place so that children may not easily climb inside.
- Never allow children to operate, play with, or crawl inside the appliance.
- Never clean appliance parts with flammable fluids. The fumes can create a fire hazard or explosion.
- Do not store or use gasoline or any other flammable vapors and liquids in the vicinity of this or any other appliance. The fumes can create a fire hazard or explosion. Do not store explosive substances such as aerosol cans with a flammable propellant in this appliance.
- **WARNING:** keep ventilation openings, in the appliance enclosure or in the built-in structure, clear of obstruction.
- Do not use mechanical devices or other means to accelerate the defrosting process, other than those Recommended by the manufacturer.
- **WARNING:** To avoid a hazard due to instability of the appliance, it must be fixed in accordance with the instructions.
- **WARNING:** Do not damage the refrigerant circuit.
- **WARNING:** Do not use electrical appliances inside the food storage compartments of the appliance, unless they are the type recommended by the manufacturer.
- **The refrigerant of these appliances is R600a, Flammable and explosive articles should not be put in or near the cabinet, to avoid the fire or explode caused.**



-Save these instructions-

# INSTALLATION INSTRUCTIONS

## **Before Using Your Wine cooler**

- Remove the exterior and interior packing.
- Before connecting the Wine cooler to the power source, let it stand upright for approximately 2 hours. This will reduce the possibility of a malfunction in the cooling system from handling during transportation.
- Clean the interior surface with lukewarm water using a soft cloth.
- This appliance is intended to be used in household and similar applications such as
  - staff kitchen areas in shops, offices, and other working environments.
  - farmhouses and by clients in hotels, motels, and other residential type environments.
  - bed and breakfast type environments.
  - catering and similar non-retail applications.
- When disposing your appliance, please choose an authorized disposal site.

## **Installation of Your Wine cooler**

- This appliance is designed to be for free standing installation or built-in (fully recessed) (Refer to sticker location the back of this appliance). PN7 is only for built in.
- **This appliance is intended to be used exclusively for the storage of wine.**
- Place your Wine cooler on a floor that is strong enough to support it when it is fully loaded. To level your Wine cooler, adjust the front leveling leg at the bottom of the Wine cooler/ cooler.
- This appliance is using flammability refrigerant. So never damage the cooling pipework during the transportation. Locate the Wine cooler away from direct sunlight and sources of heat (stove, heater, radiator, etc.). Direct sunlight may affect the acrylic coating and heat sources may increase electrical consumption. Extreme cold ambient temperatures may also cause the unit not to perform properly.
- Avoid locating the unit in moist areas.
- Plug the Wine cooler into an exclusive, properly installed-grounded wall outlet. Do not under any circumstances cut or remove the third (ground) prong from the power cord. Any questions concerning power and/or grounding should be directed toward a certified electrician or an authorized Products service center.
- Door handles, door hinges, trays, and baskets for a minimum period of seven years and door gaskets for a minimum period of 10 year, after placing the last unit of the model on the market.
- Thermostats, temperature sensors, printed circuit boards and light sources are available for a minimum period of seven years after placing the last unit of the model on the market.

## **Attention**

- Store wine in sealed bottles.
- Do not overload the cabinet.
- Do not open the door unless necessary.
- Do not cover shelves with aluminum foil or any other shelf material which may prevent air circulation.
- Should the Wine cooler be stored without use for long periods it is suggested, after a careful cleaning, to leave the door ajar to allow air to circulate inside the cabinet in order to avoid possible formations of condensation, mold, or odors.

## **Ambient Room Temperature Limits**

This appliance is designed to operate in ambient temperatures specified by its temperature class marked on the rating plate.

Class	Symbol	Ambient Temperatures range (°C)
Extended Temperate	SN	+ 10 to + 32
Temperate	N	+ 16 to + 32
Subtropical	ST	+ 16 to + 38
Tropical	T	+ 16 to + 43

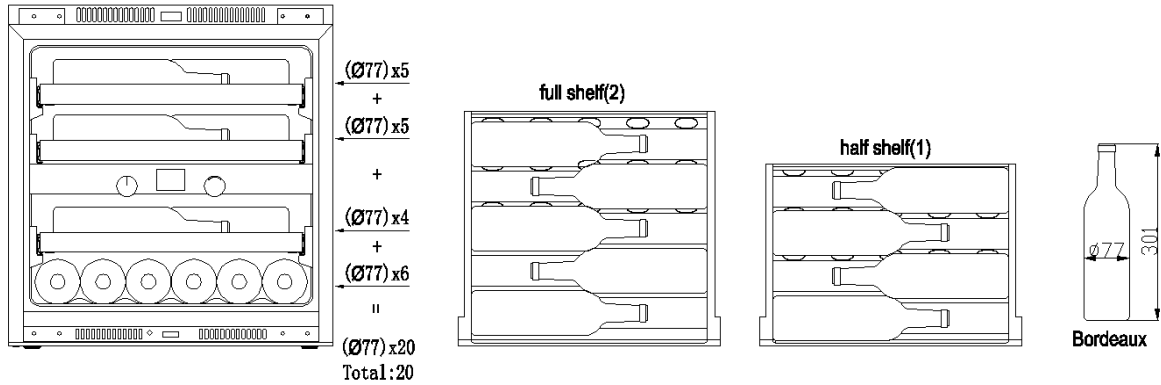
## LOADING

The maximum number of bottles that can be loaded into the cabinet are for information only; this information is not contractual; it provides a means for rapidly estimating the size of the device.

### Loading for PIM41D-BP

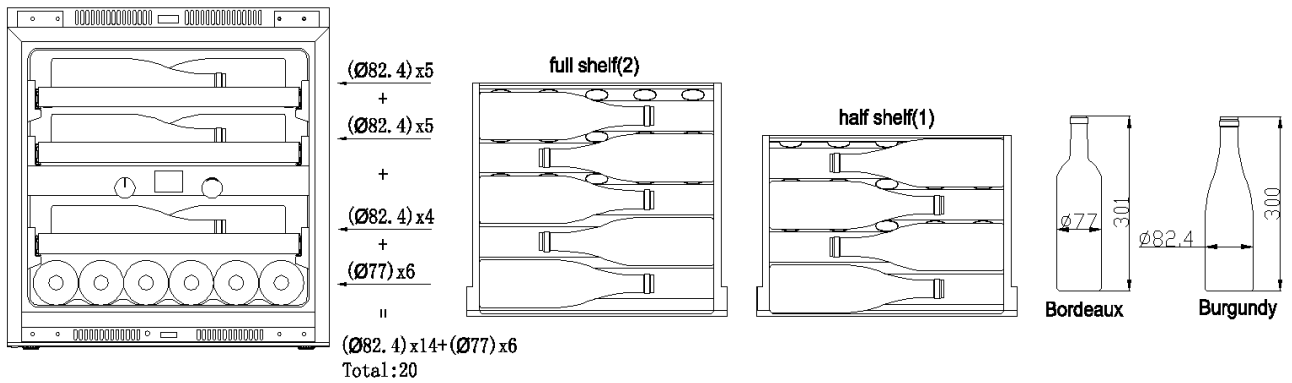
Bottle loading proposal#1

Total: 20 bottles (Bordeaux)



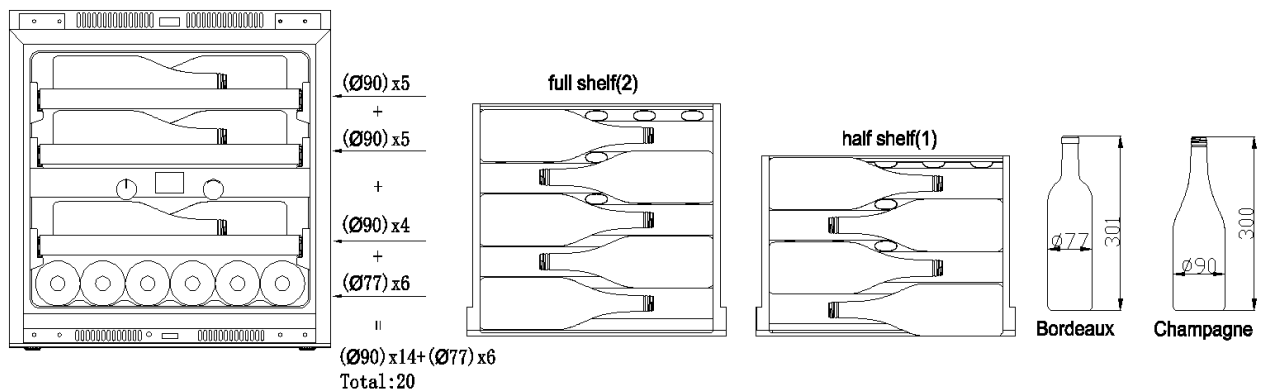
Bottle loading proposal#2

Total: 20 bottles (Bordeaux 6 bottles and Burgundy 14 bottles)

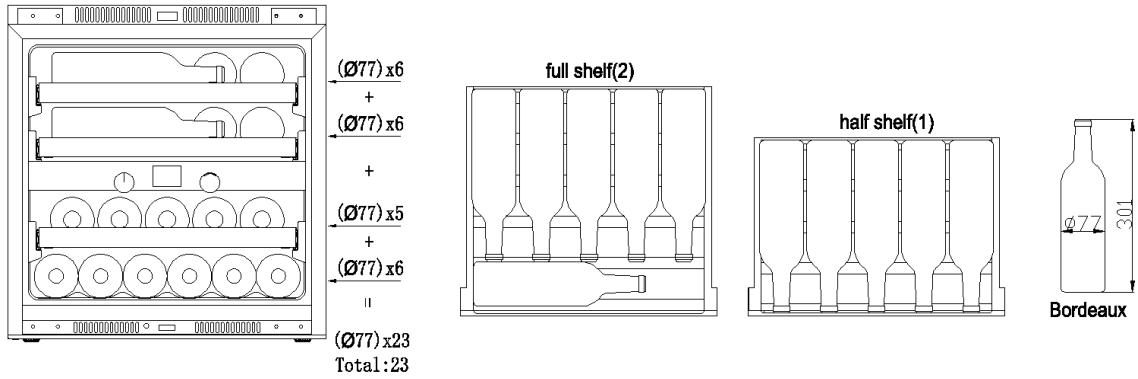


Bottle loading proposal#3

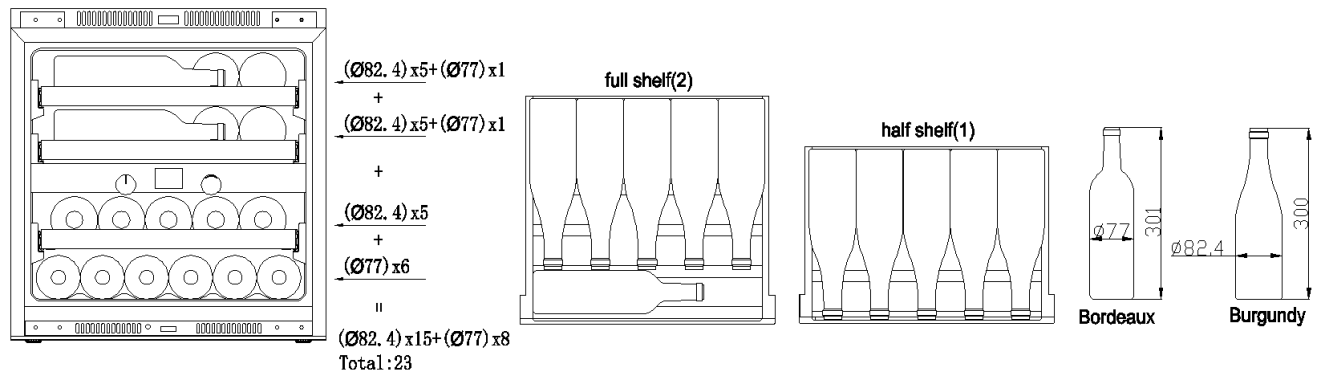
Total: 20 bottles (Bordeaux 6 bottles and champagne 14 bottles)



**Bottle loading proposal#4**  
**Total: 23 bottles (Bordeaux)**

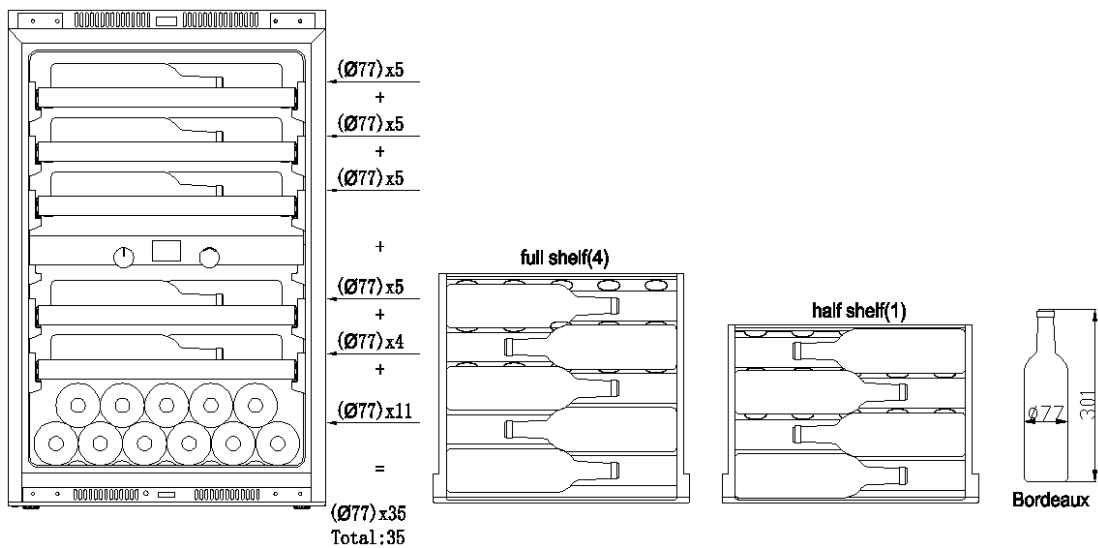


**Bottle loading proposal#5**  
**Total: 23 bottles (Bordeaux 8 bottles and Burgundy 15 bottles)**



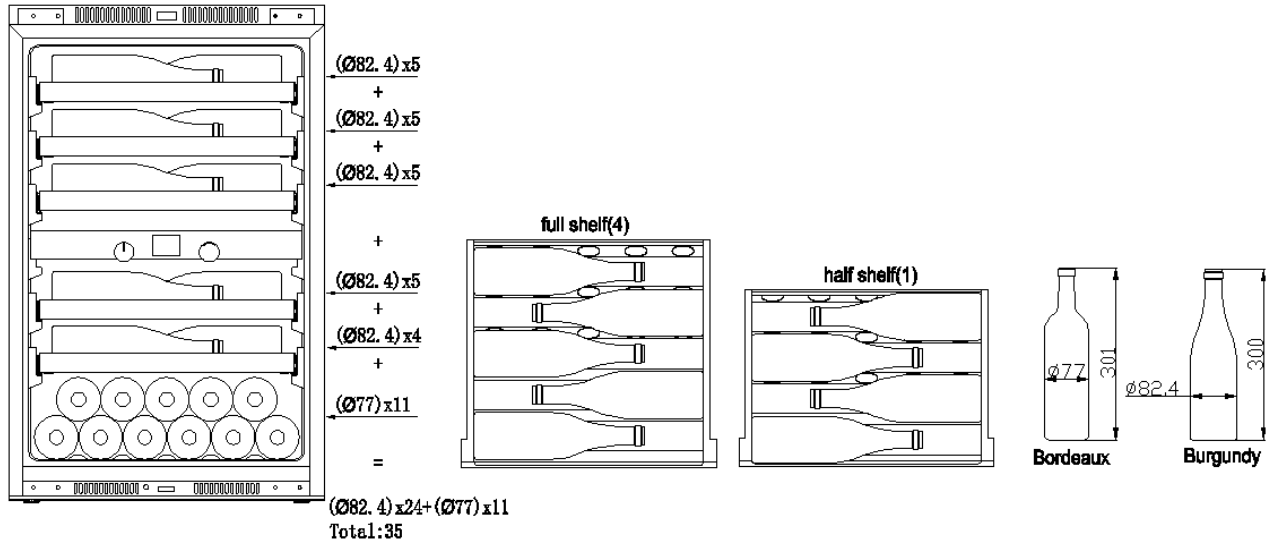
**Loading for PIM48D-BP**

**Bottle loading proposal#1**  
**Total: 35 bottles (Bordeaux)**



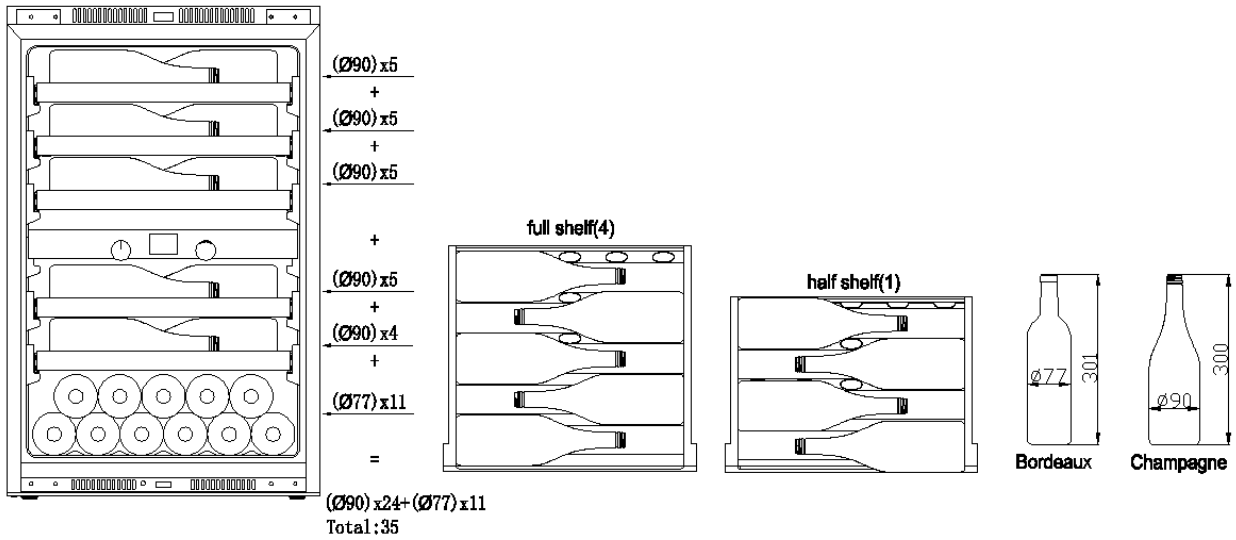
Bottle loading proposal#2

Total: 35 bottles (Bordeaux 11 bottles and Burgundy 24 bottles)



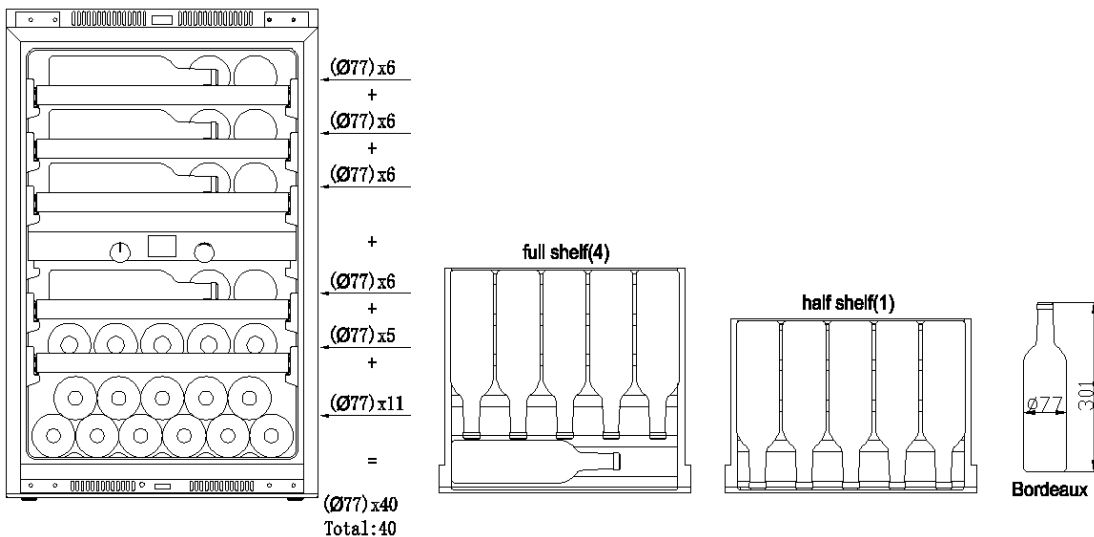
Bottle loading proposal#3

Total: 35 bottles (Bordeaux 11 bottles and champagne 24 bottles)



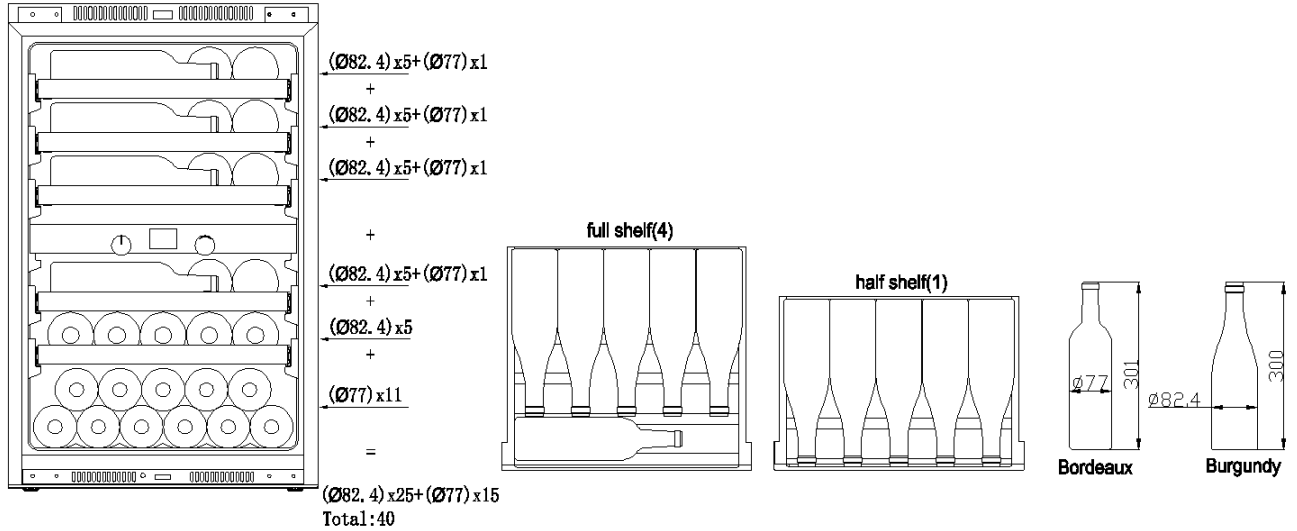
Bottle loading proposal#4

Total: 40 bottles (Bordeaux)



**Bottle loading proposal#5**

Total: 40 bottles (Bordeaux 15 bottles and Burgundy 25 bottles)

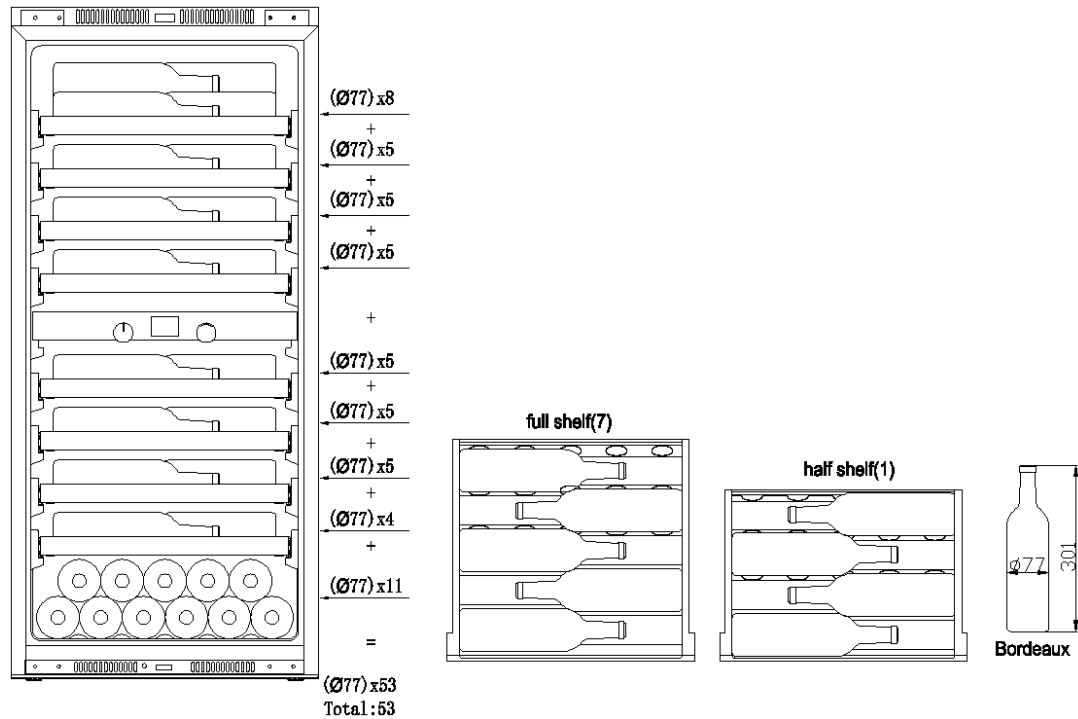


**Loading for PIM72D-BP**

**Bottle loading proposal#1**

Total: 53 bottles (Bordeaux)

Note: When taking the top layer of wine, do not slide the shelf

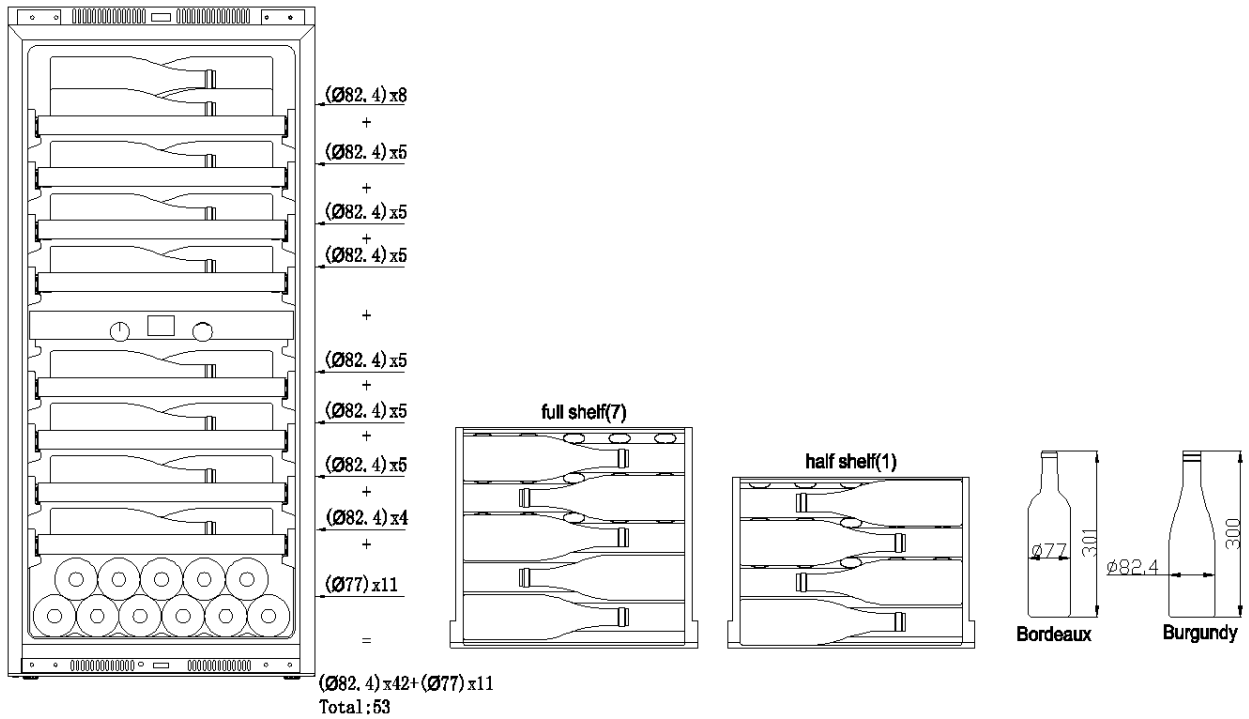




**Bottle loading proposal#2**

Total: 53 bottles (Bordeaux 11 bottles and Burgundy 42 bottles)

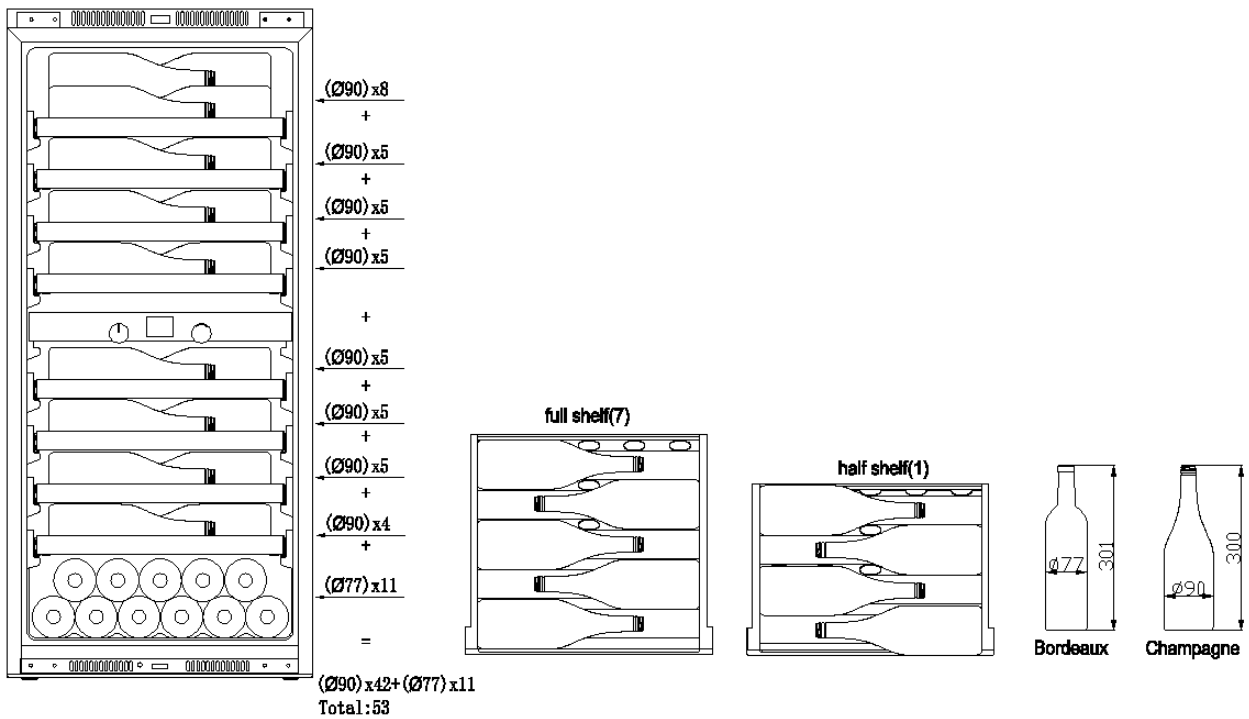
Note:When taking the top layer of wine, do not slide the shelf



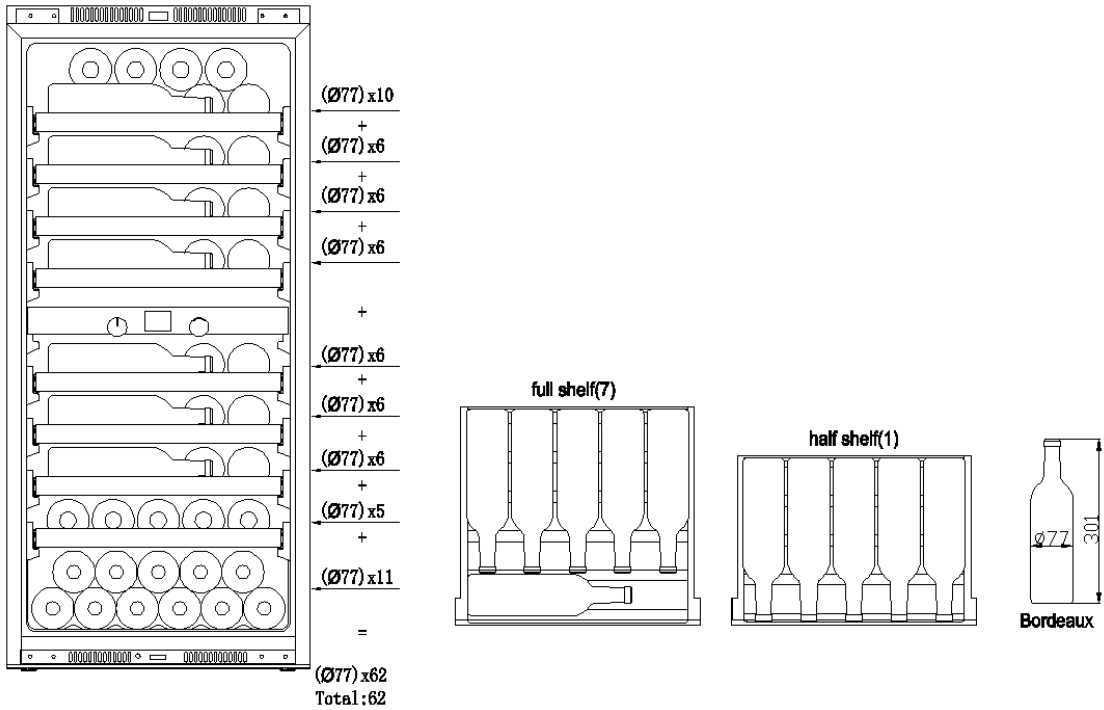
**Bottle loading proposal#3**

Total: 53 bottles (Bordeaux 11 bottles and champagne 42 bottles)

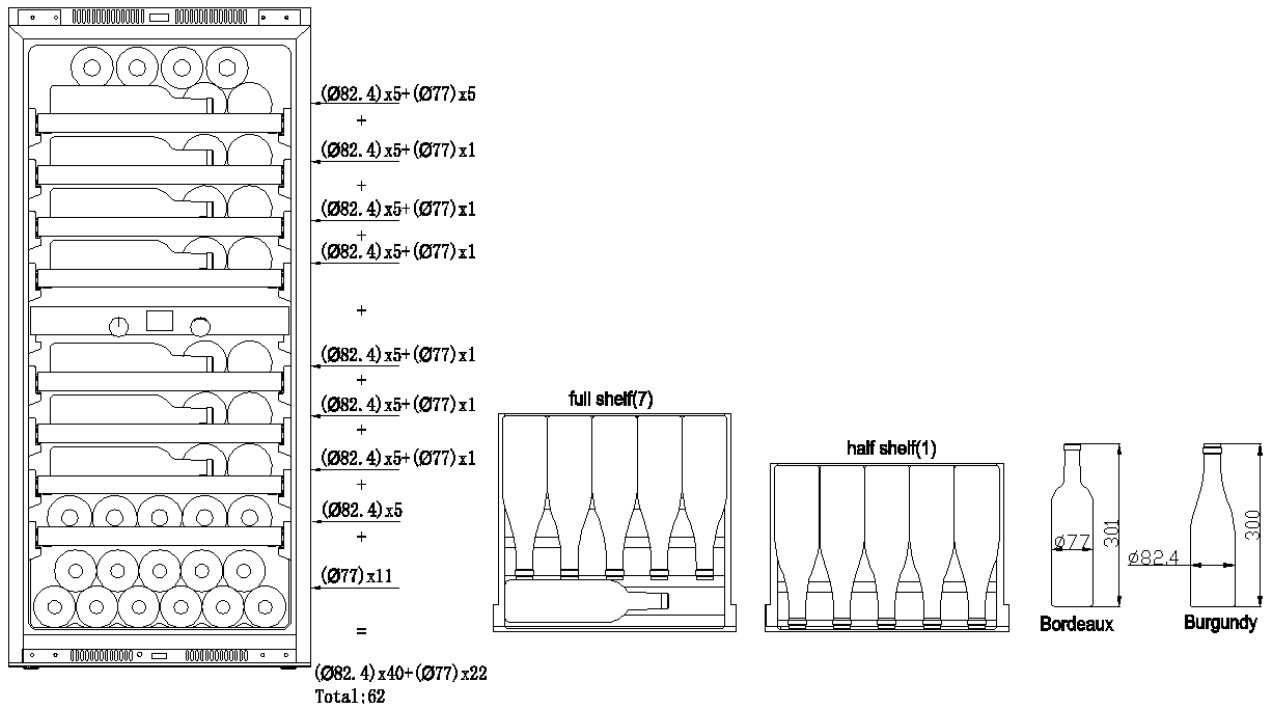
Note:When taking the top layer of wine, do not slide the shelf



Bottle loading proposal#4  
 Total: 62 bottles (Bordeaux)



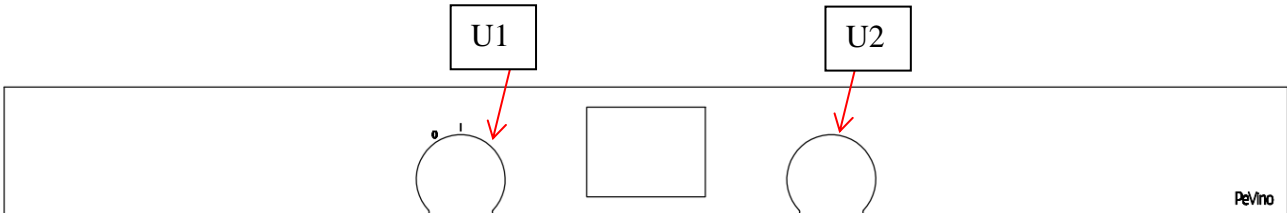
Bottle loading proposal#5  
 Total: 62 bottles (Bordeaux 22 bottles and Burgundy 40 bottles)



## OPERATING YOUR WINE COOLER

The Wine Cooler should be placed where the ambient temperature is below 35°C. If the ambient temperature is above this range, the performance of the unit may be affected and may cause interior temperatures to fluctuate. The range of setting temperatures may not be reached.

### The controls of your Wine Cooler



#### For PIM41D-BP

Upper compartment: The temperature setting can be adjusted both from 5°C to 10°C.

Lower compartment: The temperature setting can be adjusted both from 10°C to 18°C.

#### For PIM48D-BP, PIM72D-BP

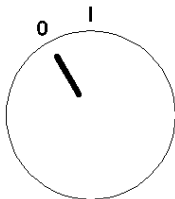
Upper and lower compartment: The temperature setting can be adjusted both from 5°C to 18°C.

U1: Functional knob, there are five functional gears from Icon 0 to right side.

U2: Adjusting knob, responsible for the selected function by U1 knob.

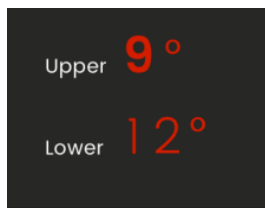
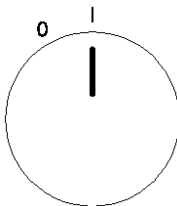
Instruction for knob U1 and U2.

1. Icon 0: Power gear



Adjust the U1 knob to the power gear, The system will be closed. The backlight in the knob keeping red color. But the rest indicate light, and display will be closed.

2. Icon I: Turn on and Temperature gear for upper zone.

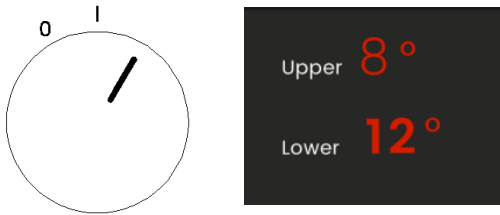


A. Adjusted the U1 knob to the temperature gear, you can adjust the temperature by rotating the U2 knob. When the upper display temperature number showing from slim to bold. You can choose your desire temperature for your wine in upper zone.

B. Turn the U2 knob to left side to reduce the set temperature and turn the U2 knob to right side to increase the set temperature.

C. The temperature adjustment range is 5-10°C(5-18°C) for Celsius; and the temperature adjustment range is 41-50°F(41-64°F) for Fahrenheit.

3. First gear on the right side of Icon I: Temperature gear for lower zone.

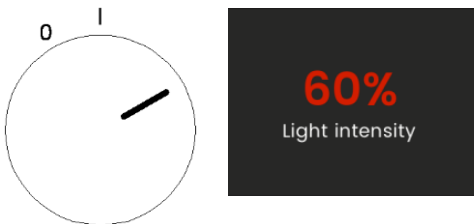


A. Adjusted the U1 knob to the temperature gear, you can adjust the temperature by rotating the U2 knob. When the lower display temperature number shows from slim to bold. You can choose your desire temperature for your wine in the lower zone.

B. Turn the U2 knob to left side to reduce the set temperature and turn the U2 knob to right side to increase the set temperature.

C. The temperature adjustment range is 10-18°C ( 5-18°C ) for Celsius; and the temperature adjustment range is 50-64°F ( 41-64°F ) for Fahrenheit.

4. Second gear on the right side of Icon I: Adjusted the brightness of the LED light.



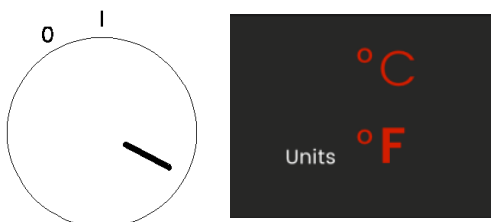
Adjusted the U1 knob to this position. There are 6 brightness levels for the LED light: 0%-20%-40%-60%-80%-100%-0% recycle rolling by rotating the U2 knob.

5. Third gear on the right side of Icon I: Alternate the LED light color.



Adjusted the U1 knob to this position. The LED light color can be alternated by rotating the U2 knob. Your selected color will be displayed on screen. Flashing and the font became thicker.

6. Fourth gear on the right side of Icon I: Select the temperature display between Celsius and Fahrenheit.




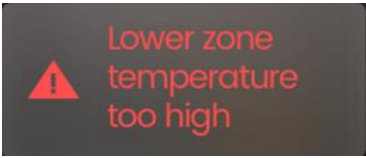


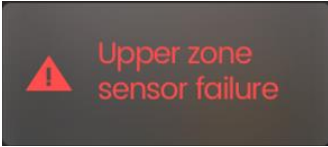
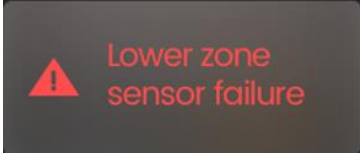

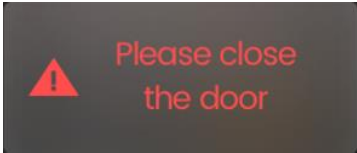
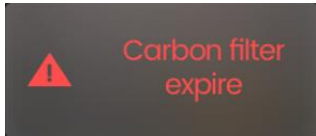
Adjusted the U1 knob to this position. You can choose Celsius or Fahrenheit for display. Your selected display temperature will be flashing, and the font became thicker.

### Temperature Memory Function

In the event of a power interruption the unit can remember the previous temperature settings, and when the power is restored the cabinet temperature will go back to the same setting temperature as before.

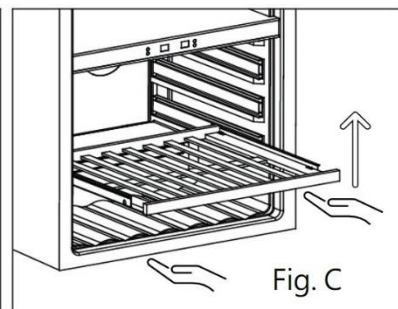
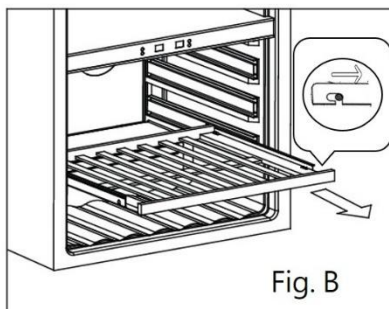
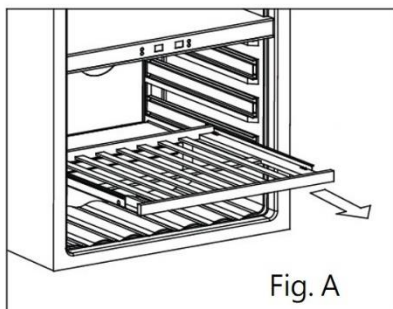
### Fault Prompt

SERIAL NUMBER	PROBLEM	RELEASE METHOD	PROMPT
1	The system detected that the indoor temperature of upper zone continued to be too low.	It is necessary to detect whether the refrigeration system is faulty, and the alarm can be cancelled by power failure. After the power is completely cut off, turn it back on. If this phenomenon still occurs, please contact the after-sales staff to provide technical support.	
2	The system detected that the indoor temperature of the lower zone continued to be too low.	It is necessary to detect whether the refrigeration system is faulty, and the alarm can be cancelled by power failure. After the power is completely cut off, turn it back on. If this phenomenon still occurs, please contact the after-sales staff to provide technical support.	
3	The system detected that the indoor temperature of upper zone continued to be too high.	It is necessary to detect whether the heating system is faulty, and the alarm can be cancelled by power failure. After the power is completely cut off, turn it back on. If this phenomenon still occurs, please contact the after-sales staff to provide technical support.	
4	The system detected that the indoor temperature of lower zone continued to be too high.	It is necessary to detect whether the heating system is faulty, and the alarm can be cancelled by power failure. After the power is completely cut off, turn it back on. If this phenomenon still occurs, please contact the after-sales staff to provide technical support.	

5	The system detected the fault of the upper chamber sensor.	After the power is completely cut off, turn it back on. If this phenomenon still occurs, please contact the after-sales staff to provide technical support.	
6	The system detected a fault of the lower chamber sensor.	After the power is completely cut off, turn it back on. If this phenomenon still occurs, please contact the after-sales staff to provide technical support.	
7	The system detects that communication with the motherboard is not possible.	After the power is completely cut off, turn it back on. If this phenomenon still occurs, please contact the after-sales staff to provide technical support.	
8	The door has been opened for too long.	Just close the door.	
9	Your equipment may not have replaced activated carbon for a long time.	You can exit this alert by any operation on the system.	

### **How to remove the shelf**

- To prevent damaging the door gasket, make sure to have the door all the way opened when pulling shelves out of the rail compartment.
- To Remove Shelves:
  1. Fully extend the shelf you wish to remove (Fig. A)
  2. Pull the shelf towards you until the buckle is released. (Fig. B)
  3. Holding the shelf track with both hands, push the shelf up horizontally (Fig. C)



## Reversing the Door Swing

### To Reverse the Door from Right Swing to Left Swing

Fig. A

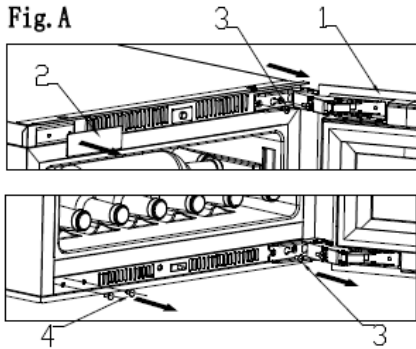


Fig. B

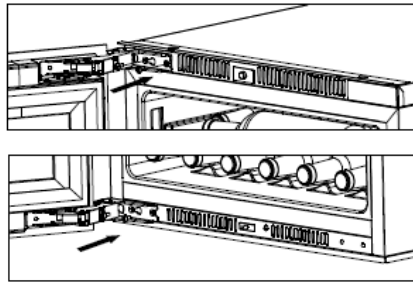


Fig. C

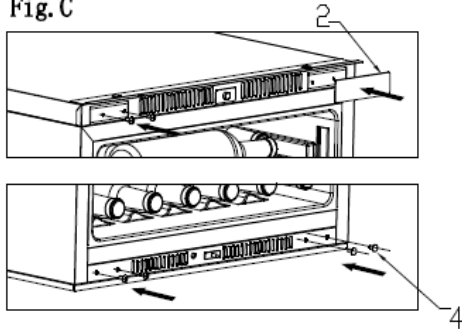


Fig. D

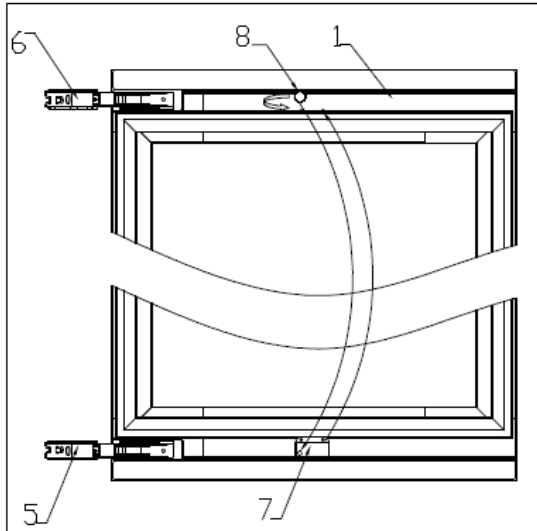
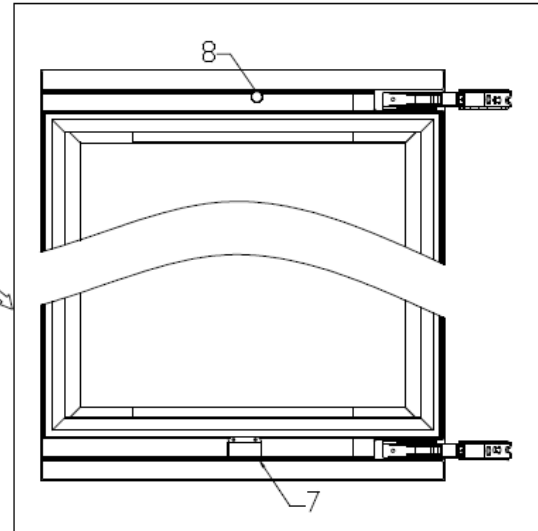


Fig. E



1. door 2. decorative plate 3. screw 4. decorative nail 5/6. door hinge 7. door lamp press 8. M5 hand screw

1. Open the door and remove the decorative piece (2) on the upper left side and the decorative nail (4) on the lower left side.

2. Remove all screws (3) from the upper and lower hinge, and then remove the door (Fig.A).

3. Remove the pressure plate of the door lamp (7) and install it on the upper door frame, rotate the M5 hand screw (8) to the left, remove and install the lower door frame, and then rotate the door 180 degrees (Fig.D, E).

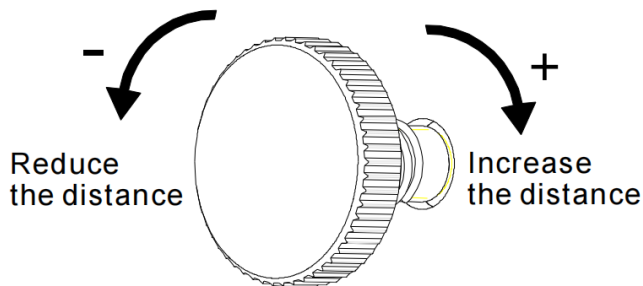
4. Fix the screws in the upper left corner and lower left corner of the box, and be careful not to tighten them (Fig.B).

5. Put the door hinge into the screws in the upper left corner and lower left corner, align with the slot, and tighten the screws to ensure that the door hinge is tight (Fig.B).
  6. Finally, install decorative pieces (2) and decorative nails (4) in the upper right corner and lower right corner of the box (Fig.C).
- Note: Two people are required to replace the door.

### **Automatic door opening function**

The automatic door opening function works by pressing the switch in front of the cabinet through the knob on the door to trigger the opening action. The door clearance may change due to vibration and other factors in transit, it causes the automatic door opening function is insensitive or cannot be used normally. Please check the distance between the knob and the switch in the door closed state and adjust to the most appropriate distance by rotating the knob.

1. The door is opening automatically after power on, it indicates the distance between the knob and the switch is too close.
2. There is no response even press the door hard, it indicates the distance between the knob and the switch is too far.
3. The door is opening automatically even by gently touch, it indicates the distance between the knob and the switch is too close.



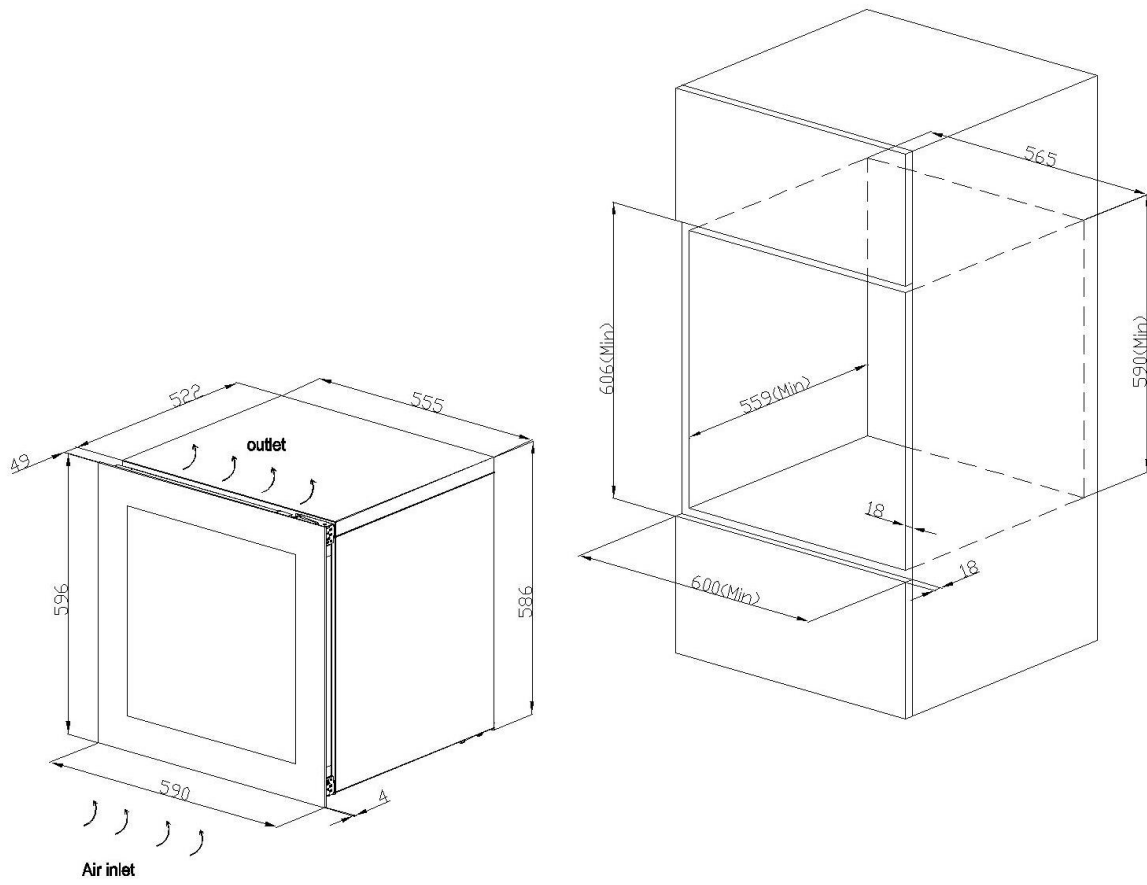
## Adjusting knob

Please adjust the knob on the basis of the 1/4 circle in the above cases: rotate to the left, the knob is extended out of the door frame; rotated to the right, the knob is retracted into the door frame.

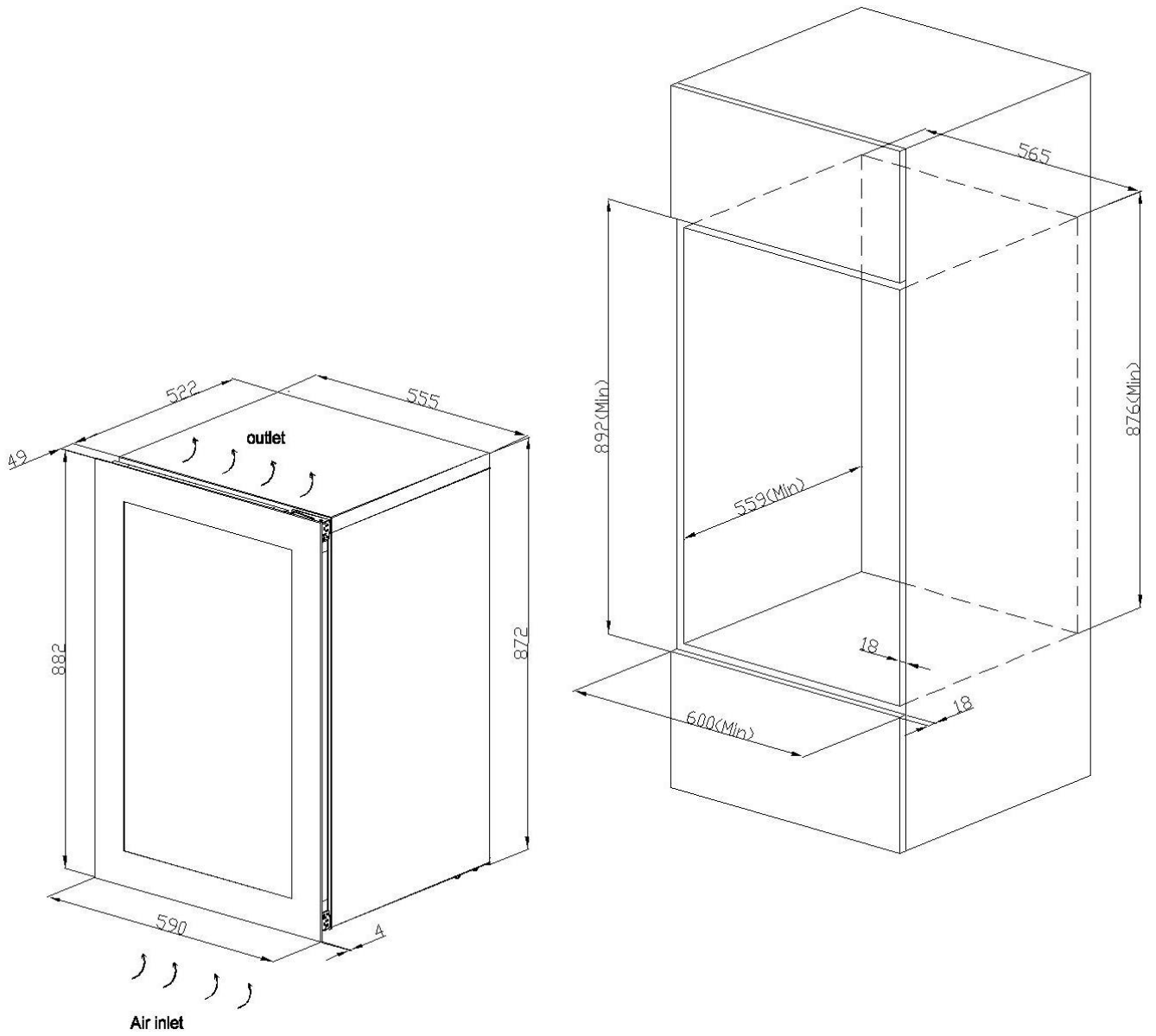


**Installation specifications for built-in purposes**

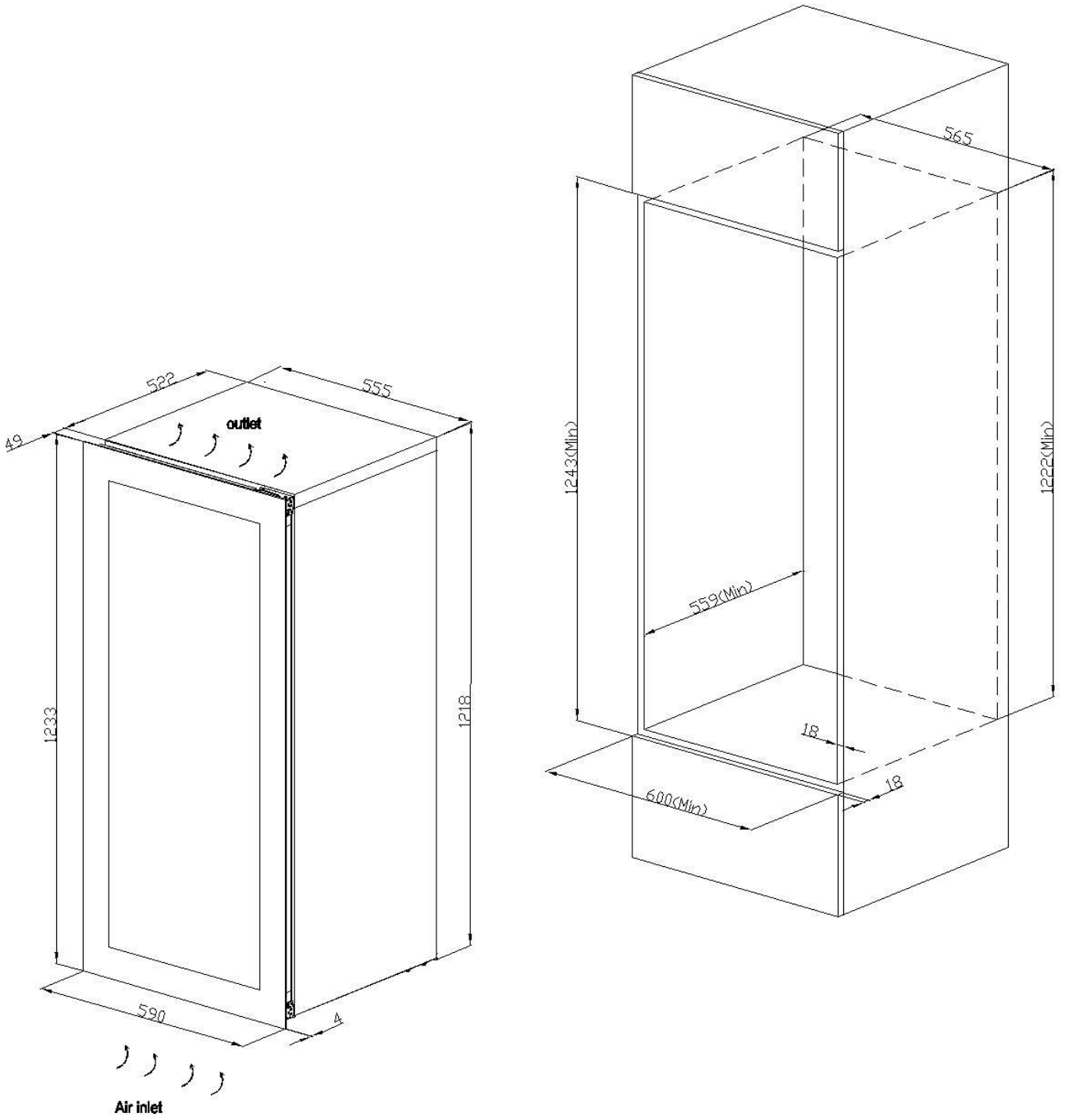
**For PIM41D-BP**



For PIM48D-BP



For PIM72D-BP



### **Recommended temperature Settings**

For keeping ALL TYPES OF WINES	12 °c to 14 °c
Champagne NV, Sparkling	6 °c
Champagne Vintage	10 °c
Dry White Semillon, Sauvignon Blanc	8 °c
Dry White Gewurstraminer, Riesling	10 °c
Dry White Chardonnay	10 °c
Vintage chardonnay	14 °c
Sweet White Sauternes Monbazillac, Late Harvest ice wine	10 °c
Sweet whites vintage Sauternes	14 °c
Beaujolais	13 °c
Red Pinot Noir	16 °c
Vintage Pinot noir red	20 °c
Red Cabernet, Merlot, French, Australian, New Zealand, Chilean, Argentinean, Italian, Spanish, Californian	20 °c
Red Grenache, Syrah	16 °c

## CARE AND MAINTENANCE

### CLEAN YOUR WINE COOLER

- Turn off the power, unplug the appliance, and remove all items including shelves and rack.
- Wash the inside surfaces with a warm water and mild solution.
- Wash the shelves with a mild detergent solution.
- Wring excess water out of the sponge or cloth when cleaning area of the controls, or any electrical parts.
- Wash the outside cabinet with warm water and mild liquid detergent. Rinse well and wipe dry with a clean, soft cloth.

### POWER FAILURE

- Most power failures are corrected within a few hours and should not affect the temperature of your appliance if you minimize the number of times the door is opened. If the power is going to be off for a long period of time, you need to take the proper steps to protect your contents.

### VACATION TIME

- **Short vacations:** Leave the Wine cooler operating during vacations of less than three weeks.
- If the appliance will not be used for several months, remove all items, and turn off the appliance. Clean and dry the interior thoroughly. To prevent odor and mold growth, leave the door open slightly: blocking it open if necessary.

### MOVE YOUR WINE COOLER

- Remove all items.
- Take out the loose items inside the wine cooler (such as shelf) or fix the loose items with the foam.
- Turn the adjustable leg up to the base to avoid damage.
- Tape the door shut.
- Be sure the appliance stays secure in the upright position during transportation. Also protect outside of appliance with a blanket or similar items.

### ENERGY SAVING TIPS

- The Wine cooler should be located in the coolest area of the room, away from producing appliances, and out of the direct sunlight.

**ALL THE APPLIANCES ARE DESIGNED WITH LED LIGHTS, IF LED LIGHT DAMAGE, PLEASE CONTACT WITH AFTER-SALE SERVICE TO REPLACE IT.**

## PROBLEMS WITH YOUR WINE COOLER

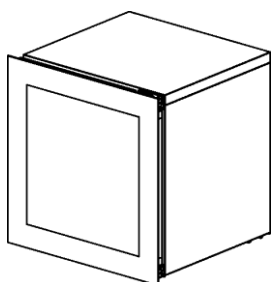
You can solve many common Wine cooler problems easily, saving you the cost of a possible service call. Try the suggestions below to see if you can solve the problem before calling the Service Centre.

### TROUBLESHOOTING GUIDE

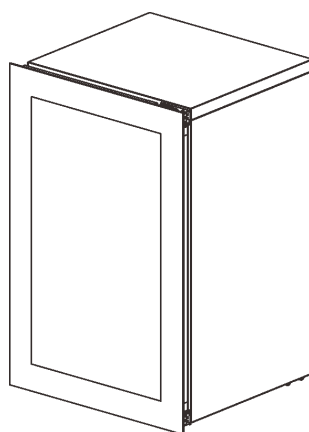
PROBLEM	POSSIBLE CAUSE
Wine cooler does not operate.	Not plugged in. The appliance is turned off. The circuit breaker tripped or a blown fuse.
Wine cooler is not cold enough.	Check the temperature control setting. External environment may require a higher setting. The door is open too often. The door is not closed completely. The door gasket does not seal properly.
Turns on and off frequently.	The room temperature is hotter than normal. A large amount of contents has been added to the Wine cooler. The door is open too often. The door is not closed completely. The temperature control is not set correctly. The door gasket does not seal properly.
The light does not work.	Not plugged in. The circuit breaker tripped or a blown fuse. The bulb has burned out. The light button is "OFF".
Vibrations.	Check to assure that the Wine cooler is level.
The Wine cooler seems to make too much noise.	The rattling noise may come from the flow of the refrigerant, which is normal. As each cycle ends, you may hear gurgling sounds caused by the flow of refrigerant in your Wine cooler. Contraction and expansion of the inside walls may cause popping and crackling noises. The Wine cooler is not level.
The door will not close properly.	The Wine cooler is not level. The door was reversed and not properly installed. The gasket is dirty. The shelves are out of position.
Condensation forms on the door.	Condensation will form on the door due to high humidity in the area. Install the appliance with sufficient ventilation in a dry and/ or air-conditioned room
Water condensation may form on the glass door.	Condensation will form on the door due to high humidity in the area. Install the appliance with sufficient ventilation in a dry and/ or air-conditioned room

# Vinkøleskab

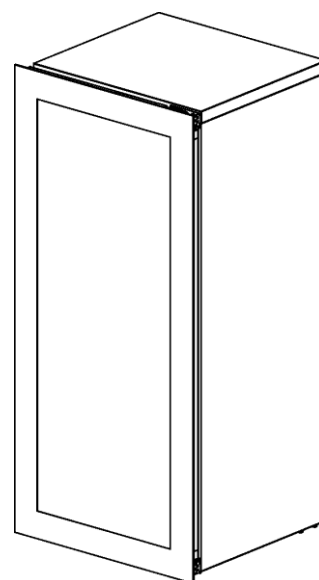
## Brugsanvisning



**PIM41D-BP**



**PIM48D-BP**



**PIM72D-BP**

[www.pevino.com](http://www.pevino.com)

**LÆS VENLIGST OG FØLG ALLE SIKKERHEDSREGLER OG BETJENINGSINSTRUKTIONER FØR BRUG.**

## ADVARSEL!

- For at undgå at skade dørtætningen skal du sikre, at døren er helt åben, når hylderne trækkes ud på skinnerne.
- Apparatet skal være placeret således, at stikket er tilgængeligt. Frigør ledningen. Flyt dit skab til dets endelige placering. Flyt ikke dit skab, mens det er fyldt med vin.
- Apparatet må ikke benyttes af personer (inklusive børn) med nedsat fysisk, sensoriske eller mentale evner eller mangel erfaring, medmindre de er under opsyn eller modtager instruktioner af en person der er ansvarlig for deres sikkerhed.
- Børn skal være under opsyn for at sikre, at de ikke leger med apparatet.
- Hvis ledningen er beskadiget, skal den udskiftes af producenten eller en autoriseret elinstallatør.

Apparatet kan benyttes af børn fra 8 år og op og af personer med fysiske, sensoriske eller mentale evner eller mangel på erfaring og viden, hvis de er under opsyn eller ikke leger med apparatet. De må ikke rengøre og vedligeholde produktet.

– ADVARSEL: Hold ventilationsåbningerne i apparatets kabinet eller i den indbyggede konstruktion fri for obstruktion.

– ADVARSEL: Brug ikke mekaniske eller andre midler til at fremskynde afrimningsprocessen, bortset fra dem, der anbefales af producenten.

– ADVARSEL: Kølemiddelkredsløbet må ikke beskadiges.

– ADVARSEL: Brug ikke elektriske apparater i apparatets opbevaringsrum, medmindre de er af den type, som producenten anbefaler.

Dette køleapparat er ikke egnet til frysning af fødevarer.

Opbevar ikke eksplosive stoffer såsom spraydåser med et brændbart drivmiddel i apparatet.

Dette apparat er beregnet til at blive brugt i husholdninger og lignende applikationer som f.eks.

– personalekøkkenområder i butikker, kontorer og andre arbejdsmiljøer.

– bondehuse og af kunder i hoteller, moteller og andre boligmiljøer.

– bed and breakfast.

– catering og lignende ikke-detailanvendelse.

– ADVARSEL: For at undgå fare på grund af apparatets ustabilitet, skal det monteres i overensstemmelse med instruktionerne.

For at undgå kontaminering af vin skal du respektere følgende instruktioner:

– Åbning af døren i længere perioder kan forårsage en væsentlig stigning i temperaturen i apparatet.

– Rengør jævnligt overflader, der kan komme i kontakt med flasker og tilgængelige afløbssystemer.

– Rengør vandbeholdere, hvis den ikke har været brugt i 48 timer.

– Hvis kølemaskinen efterlades tom i længere perioder, skal du slukke, afrime, rengøre, tørre og lade døren stå åben for at forhindre, at der udvikles mug i apparatet.

**FORSØG VENLIGST IKKE AT TILSLUTTE ELLER FORLÆNGE KABLET I NOGEN TILFÆLDE.**



## VIGTIGE SIKKERHEDSINSTRUKTIONER

### ⚡ ADVARSEL ⚡

Følg disse grundlæggende forholdsregler for at reducere risikoen for brand, elektrisk stød eller personskaade, når du bruger dit apparat:

- Læs alle instruktioner, før du bruger vinkøleren.
- **FARE eller ADVARSEL:** Risiko for at børn sidder fast. Uønskede eller efterladte apparater er farlige selvom det "bare vil sidde i garagen et par dage". Børn kan risikere at sidde fast eller blive klemt.
- **Inden du smider dit gamle vinkøleskab ud:** Tag døren af. Lad hylderne sidde i skabet, så børn ikke nemt kan klatre ind.
- Lad aldrig børn betjene, lege med eller kravle ind i apparatet.
- Rengør aldrig apparatets dele med brændbare væsker. Dampene kan skabe brandfare eller eksplosion.
- Opbevar eller brug ikke benzin eller andre brændbare dampe og væsker i nærheden af dette eller noget andet apparat. Dampene kan skabe brandfare eller eksplosion. Opbevar ikke eksplosive stoffer såsom spraydåser med et brændbart drivmiddel i dette apparat.
- **ADVARSEL:** Hold ventilationsåbningerne i apparatets kabinet eller i den indbyggede konstruktion fri for obstruktion.
- Brug ikke mekaniske eller andre midler til at fremskynde afrimningsprocessen, bortset fra dem, der anbefales af producenten.
- **ADVARSEL:** For at undgå fare på grund af ustabilitet i apparatet skal det fastgøres i overensstemmelse med instruktionerne.
- **ADVARSEL:** Kølemiddelkredsløbet må ikke beskadiges.
- **ADVARSEL:** Brug ikke elektriske apparater i apparatets opbevaringsrum, medmindre de er af den type, som producenten anbefaler.
- **Dette apparat indeholder en lille mængde R600a-kølemiddel, som er miljøvenligt, men brandfarligt.**



- Gem disse instruktioner-

# INSTALLATION INSTRUKTIONER

## Før du tager dit vinkøleskab i brug

- Fjern den ydre og indre emballage.
- Før du tilslutter vinkøleskabet til strømkilden, skal du lade det stå lodret i cirka 12-24 timer. Dette vil reducere muligheden for en funktionsfejl i kølesystemet.
- Rengør de indre overflader med en blød klud og lunkent vand.
- Dette apparat er beregnet til at blive brugt i husholdninger og lignende applikationer som f.eks.
  - personalekøkkenområder i butikker, kontorer og andre arbejdsmiljøer.
  - bondehuse og af kunder i hoteller, moteller og andre boligmiljøer.
  - bed and breakfast.
  - catering og lignende ikke-detailanvendelse.
- Når du bortskaffer dit apparat, skal du vælge et autoriseret bortskaffelsessted.

## Installation af dit vinkøleskab

- Apparatet er designet til at være fritstående eller indbygget.
- **Dette apparat er udelukkende beregnet til at blive brugt til opbevaring af vin.**
- Placér dit vinkøleskab på et gulv eller overflade, der er stærkt nok til at bære det, når det er fuldt læsset. Sørg for at vinkøleskabet står helt i vater, ved at justere benene under bunden.
- Dette apparat bruger brændbart kølemiddel. Så aldrig beskadig kølerøret under transporten. Placér vinkøleskabet væk fra direkte sollys og varmekilder (brændeovn, varmeapparat, radiator, osv.). Direkte sollys kan påvirke akrylovertrækket, og varmekilder kan forøge det elektriske forbrug.
- Undgå at placere enheden i fugtige områder.
- Tilslut vinkøleskabet til en stikkontakt med jordforbindelse. Ethvert spørgsmål angående el bør rettes til en autoriseret elinstallatør.
- Dørhåndtag, dørhængsler, bakker og kurve kan købes i en minimumsperiode på syv år og dørpakninger i en minimumsperiode på 10 år, efter at den sidste enhed af modellen er bragt på markedet.
- Termostater, temperatursensorer, printkort og lyskilder er tilgængelige i en periode på minimum 7 år efter, at den sidste enhed af modellen er bragt på markedet.

## Vær opmærksom på følgende

- Opbevar vin i lukkede flasker.
- Overbelast ikke skabet.
- Åbn ikke døren, medmindre det er nødvendigt.
- Tildæk ikke hylder med aluminiumfolie eller andre hylde materialer, som kan forhindre luftcirkulation.
- Skulle vinkøleskabet stå ubrugt i længere perioder, foreslås det, efter en grundig rengøring, at lade døren stå på klem for at lade luften cirkulere indeni skabet for at undgå mulige dannelser af dug, mug eller lugt.

## Omgivelses temperaturgrænser

Dette apparat er designet til at fungere i omgivelsestemperaturer, der er specificeret af dets temperaturklasse, der er angivet på typeskiltet.

Klasse	Symbol	Omgivelsestemperatur (°C)
Udvidet tempereret	SN	+ 10 til + 32
Tempereret	N	+ 16 til + 32
Subtropisk	ST	+ 16 til + 38
Tropisk	T	+ 16 til + 43

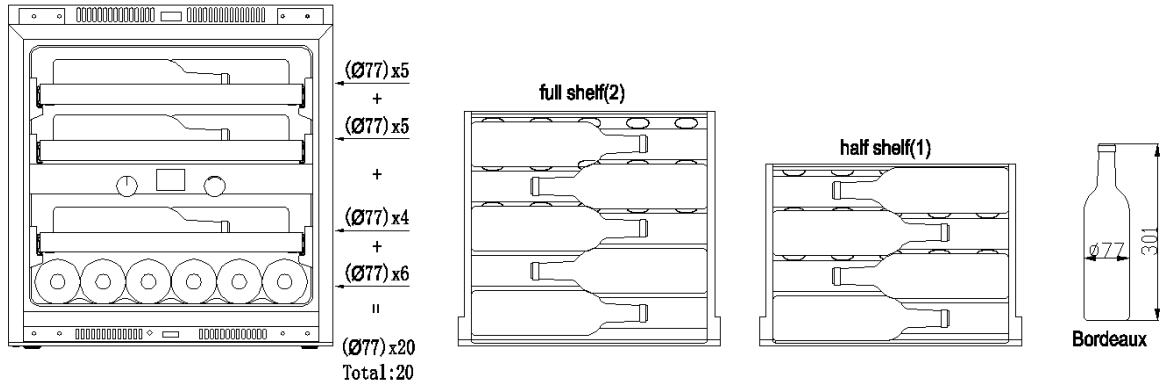
## OPBEVARING

Det maksimale antal flasker, der kan fyldes i kabinettet, er kun til vejledning; disse oplysninger er et estimat af hvor mange flasker apparatet kan indeholde.

### Opbevaring i PIM41D-BP

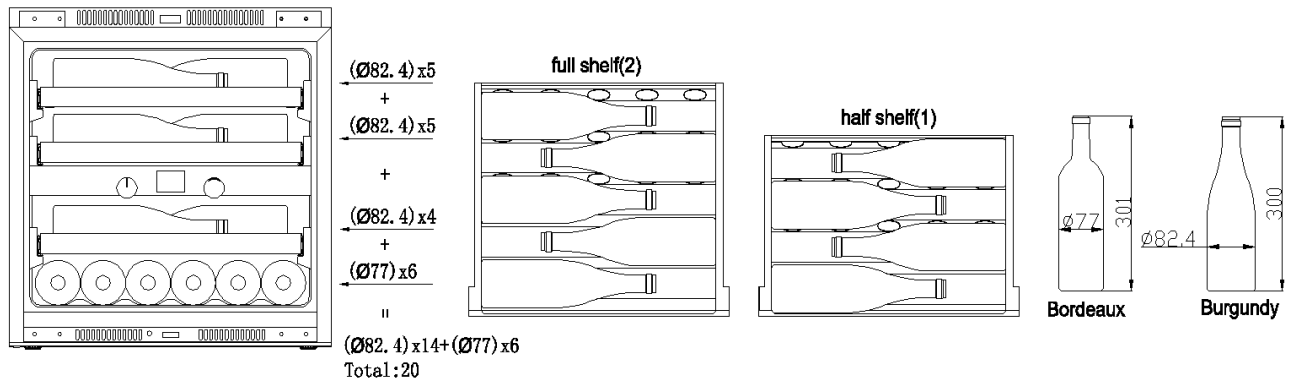
Forslag#1

Total: 20 flasker (Bordeaux)



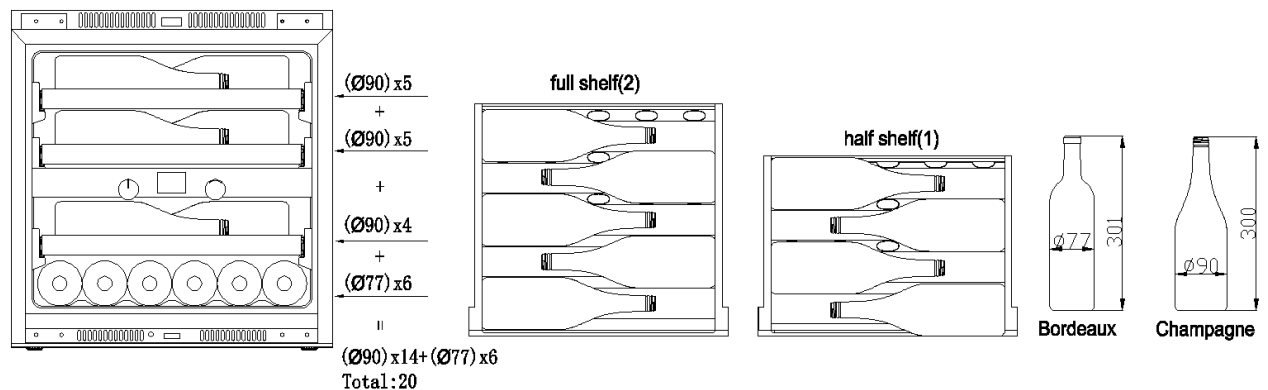
Forslag#2

Total: 20 flasker (Bordeaux 6 flasker og Burgundy 14 flasker)



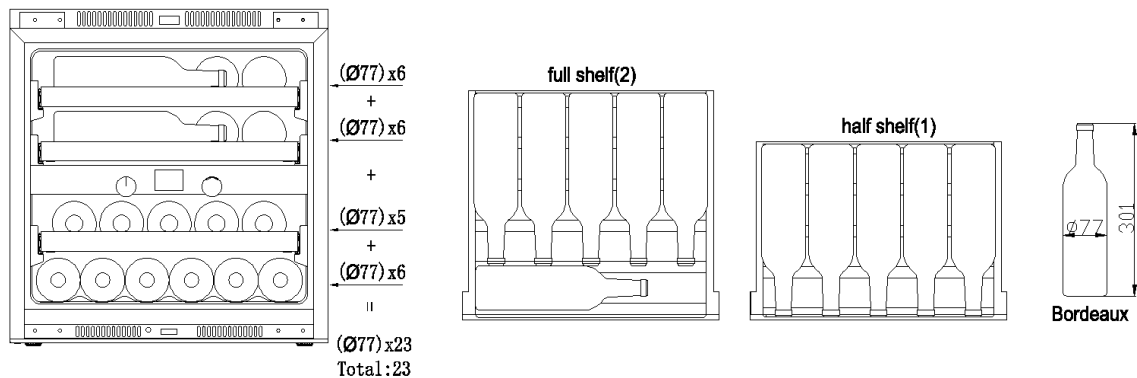
Forslag#3

Total: 20 flasker (Bordeaux 6 flasker og champagne 14 flasker)



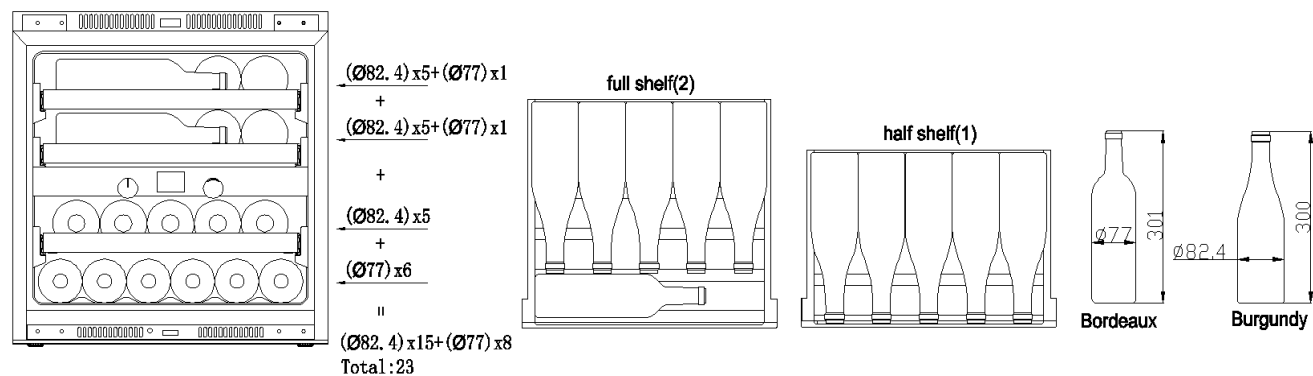
Forslag#4

Total: 23 flasker (Bordeaux)



Forslag#5

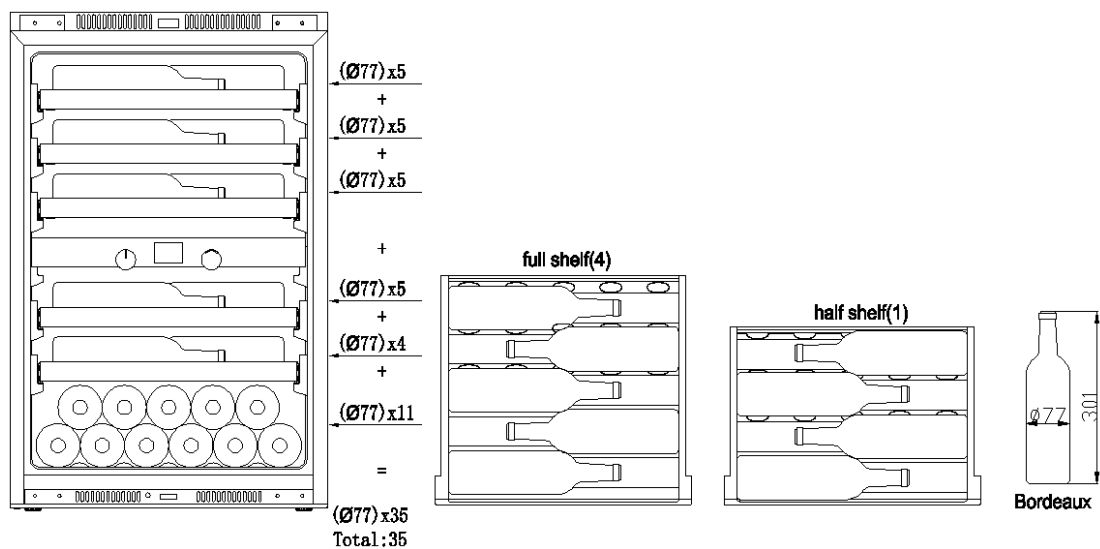
Total: 23 flasker (Bordeaux 8 flasker og Burgundy 15 flasker)



Opbevaring i PIM48D-BP

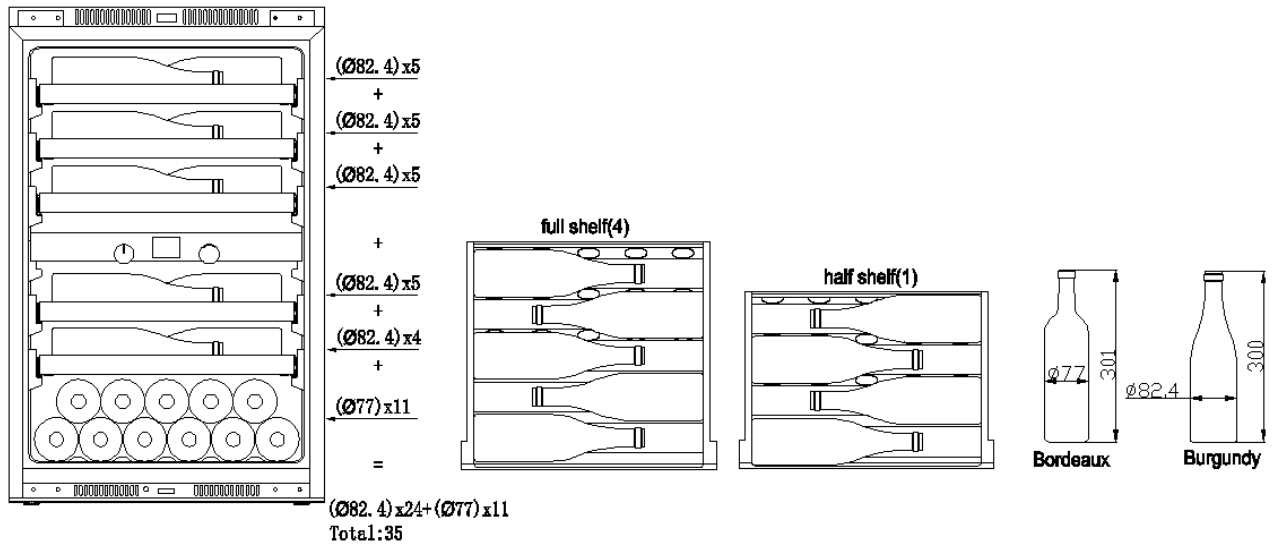
Forslag#1

Total: 35 flasker (Bordeaux)



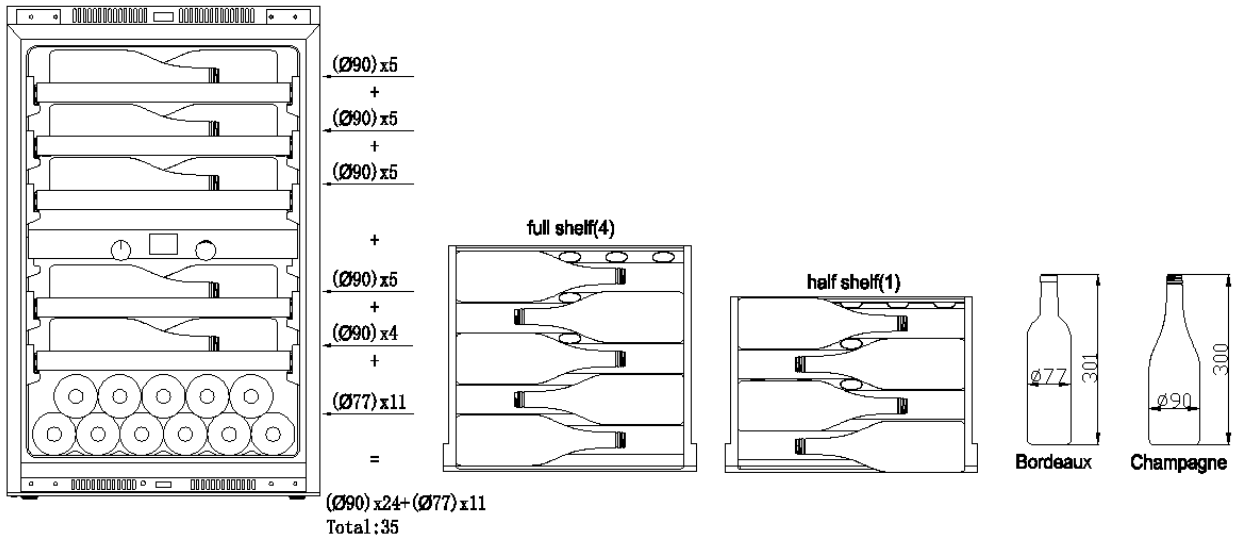
Forslag#2

Total: 35 flasker (Bordeaux 11 flasker og Burgundy 24 flasker)



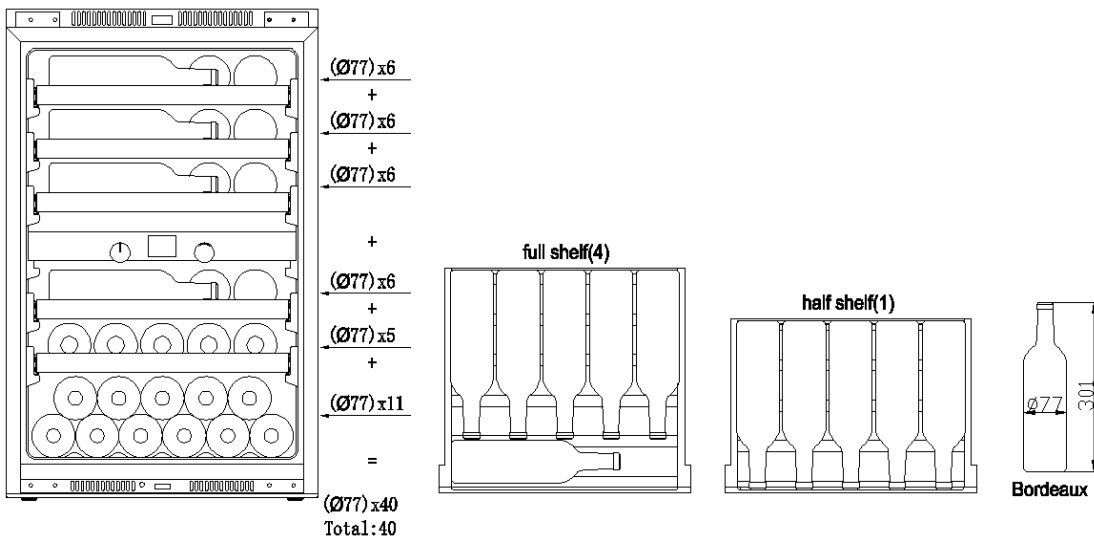
Forslag#3

Total: 35 flasker (Bordeaux 11 flasker og champagne 24 flasker)



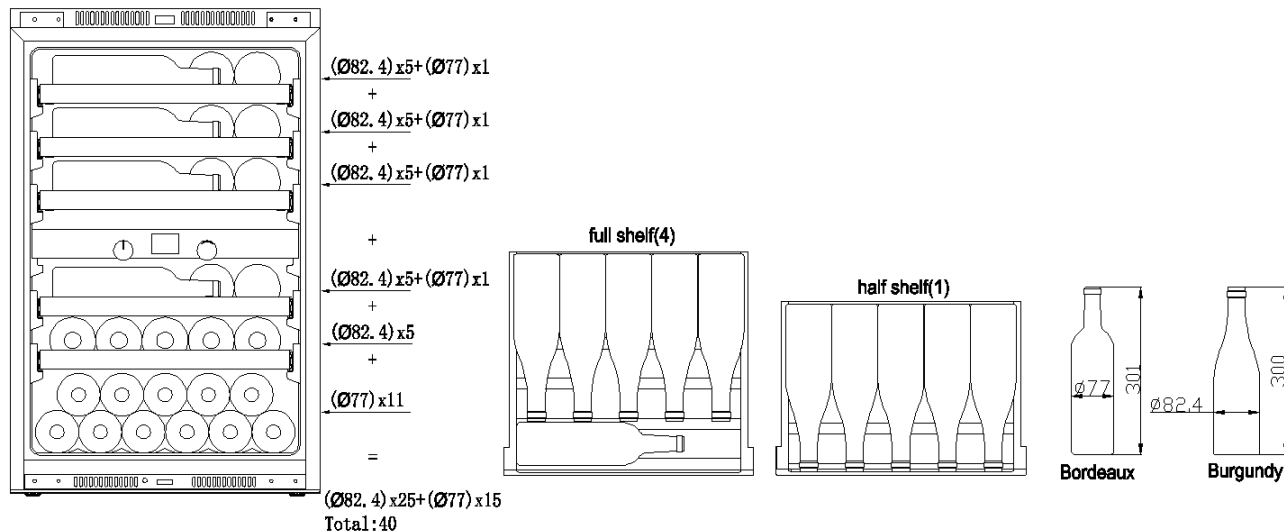
Forslag#4

Total: 40 flasker (Bordeaux)



Forslag#5

Total: 40 flasker (Bordeaux 15 flasker og Burgundy 25 flasker)

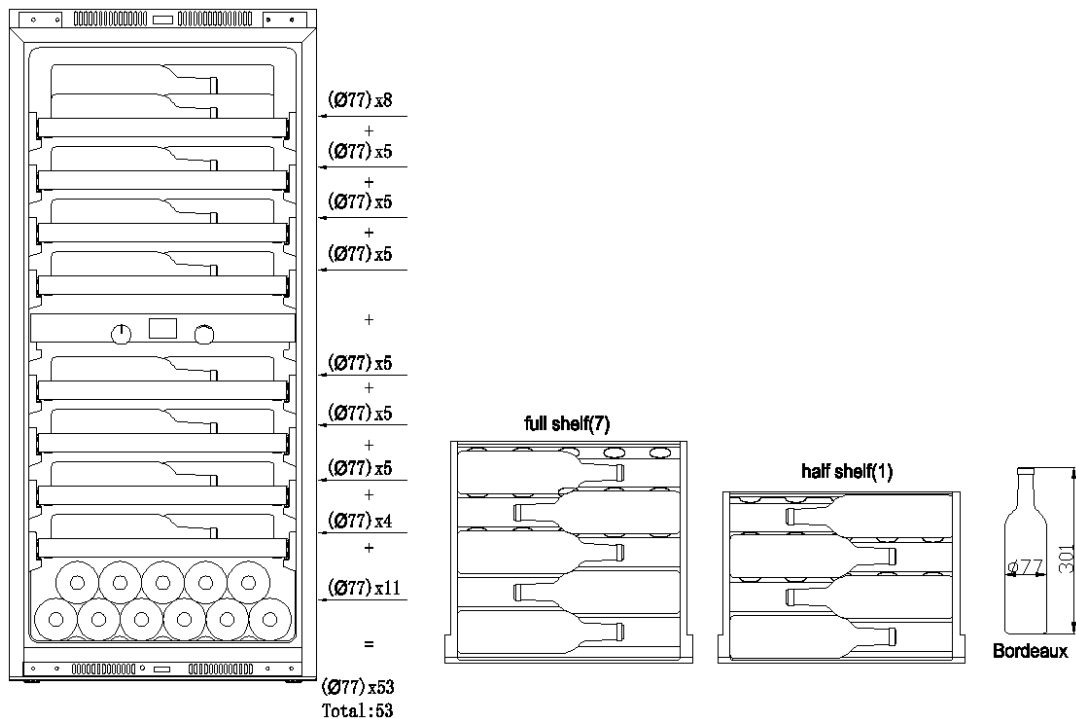


Opbevaring i PIM72D-BP

Forslag#1

Total: 53 flasker (Bordeaux)

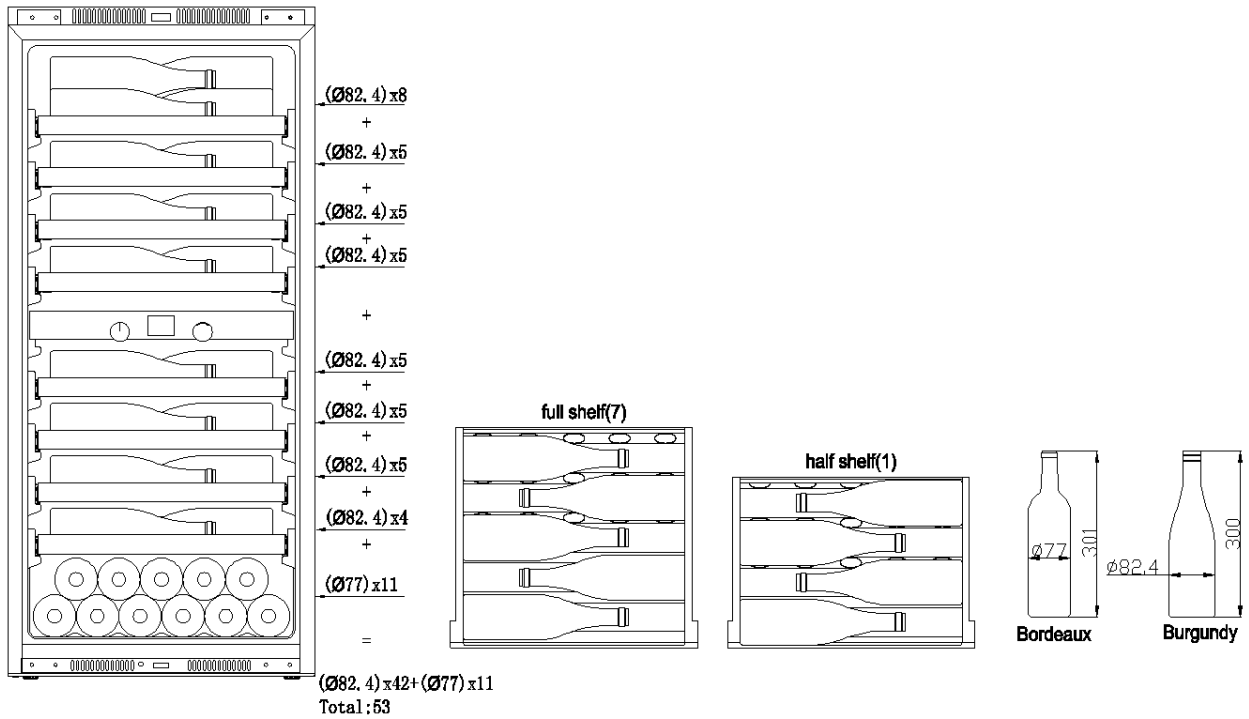
Bemærk: Når du tager det øverste lag flasker, må du ikke tage hylden ud



Forslag#2

Total: 53 flasker (Bordeaux 11 flasker og Burgundy 42 flasker)

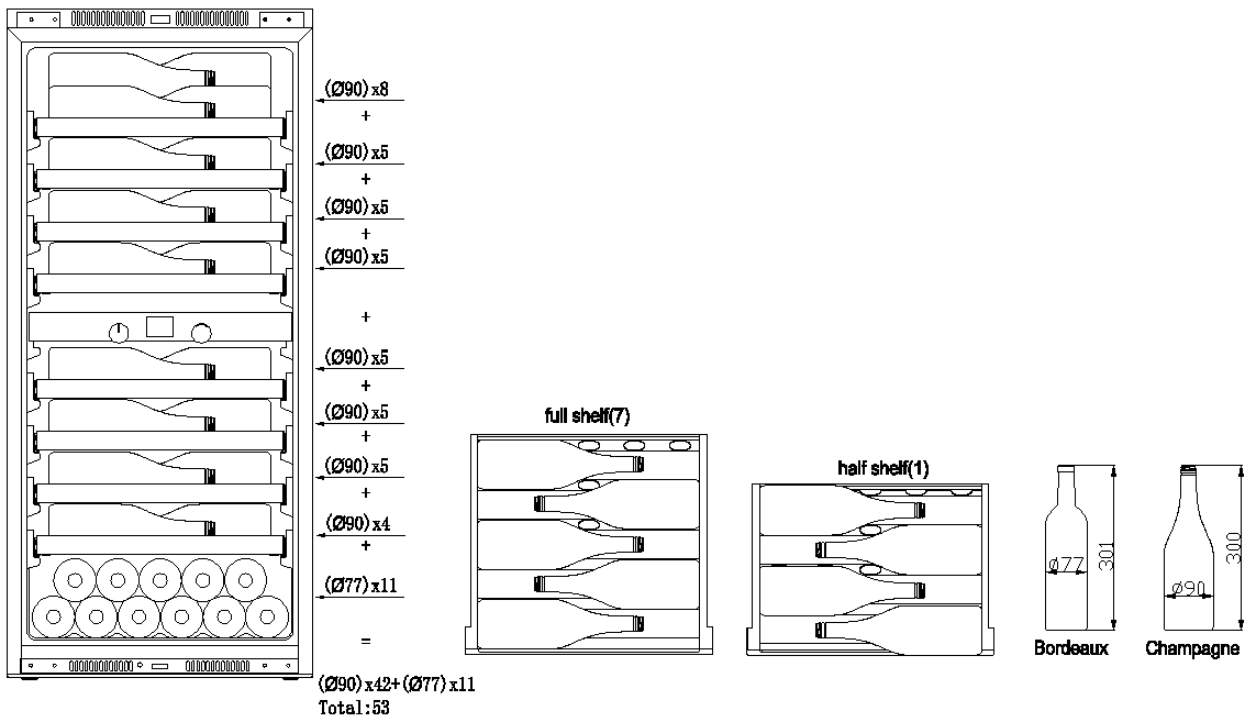
Bemærk: Når du tager det øverste lag flasker, må du ikke tage hylden ud



Forslag#3

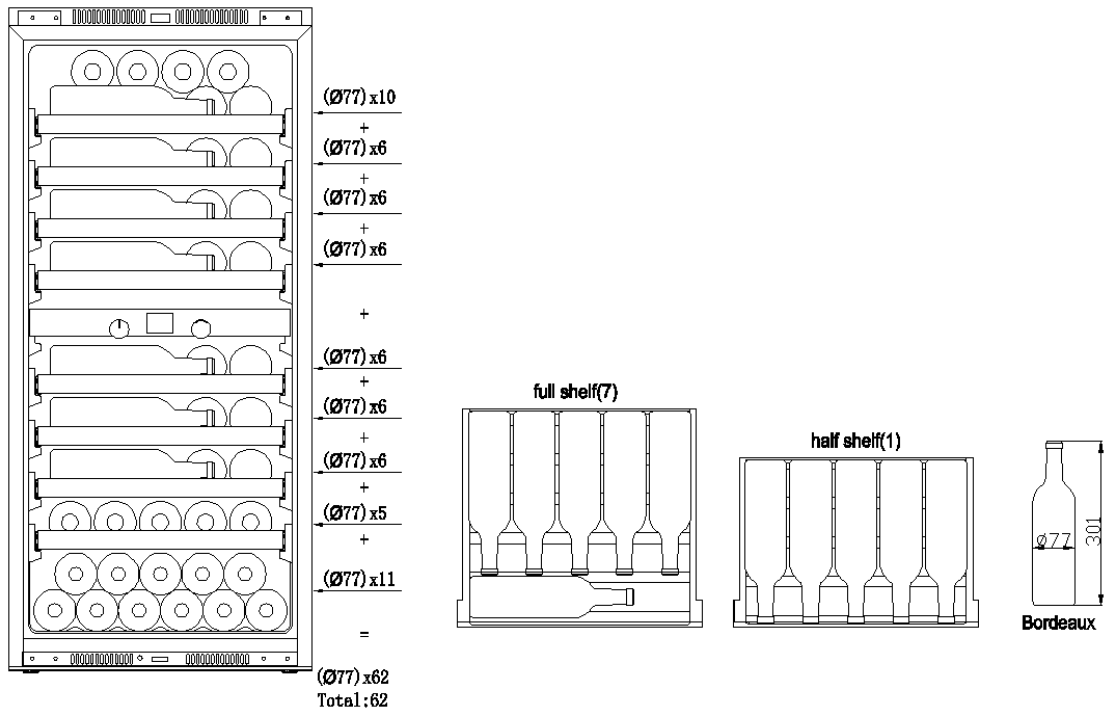
Total: 53 flasker (Bordeaux 11 flasker og champagne 42 flasker)

Bemærk: Når du tager det øverste lag flasker, må du ikke tage hylden ud



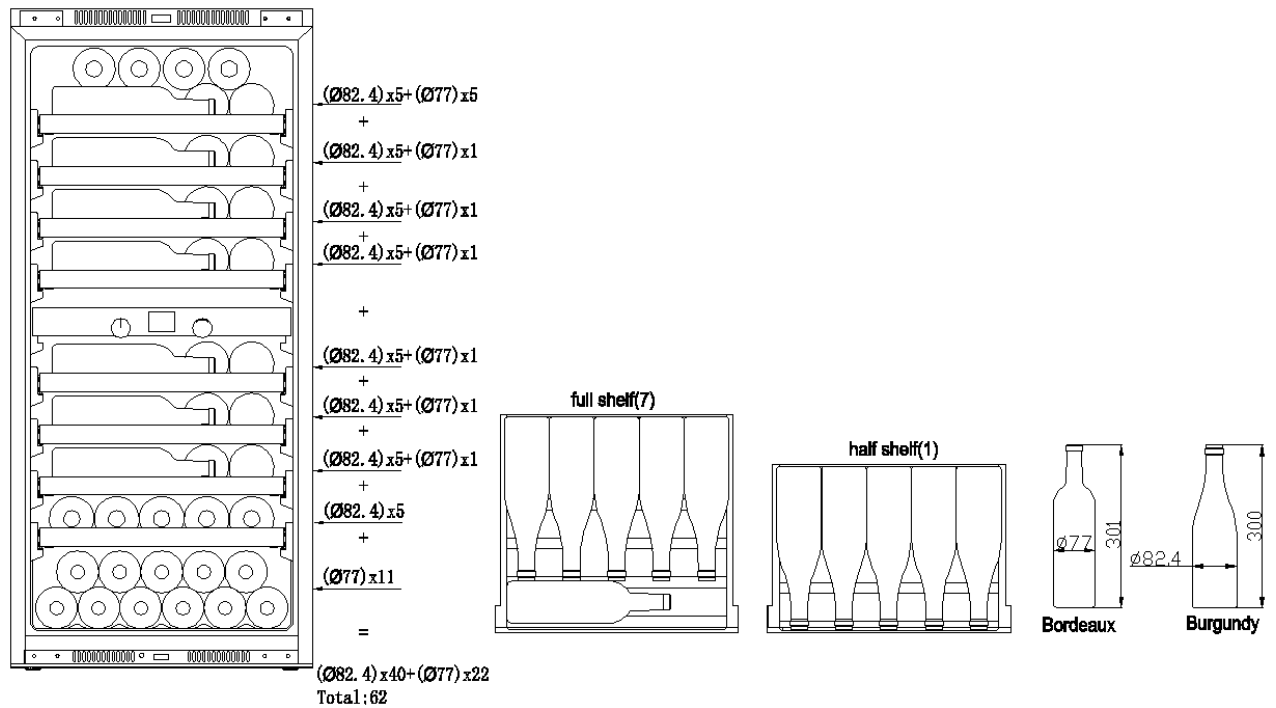
Forslag#4

Total: 62 flasker (Bordeaux)



Forslag#5

Total: 62 flasker (Bordeaux 22 flasker og Burgundy 40 flasker)

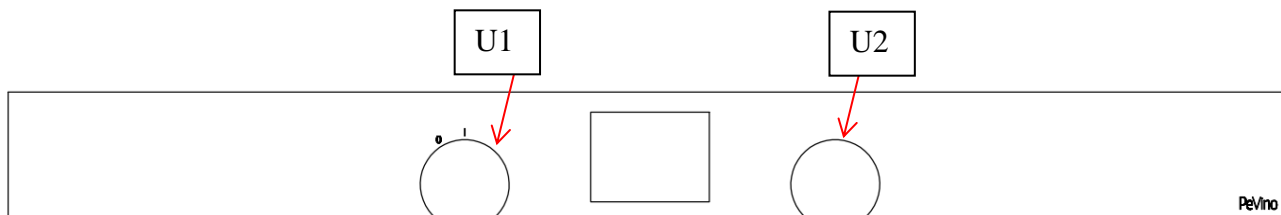




## BETJENING A VINKØLESKABET

Vinkøleskabet skal placeres, hvor den omgivende temperatur er under 35°C. Hvis den omgivende temperatur er over dette interval, kan enhedens ydeevne blive påvirket og kan få indvendige temperaturer til at svinge. Området for indstillede temperaturer nås muligvis ikke.

### Styring af vinkøleskabet



#### For PIM41D-BP

Øverste zone: Temperaturen kan indstilles fra 5°C to 10°C.

Nederste zone: Temperaturen kan indstilles fra 10°C to 18°C.

#### For PIM48D-BP, PIM72D-BP

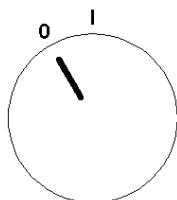
Øverste og nederste zone: Temperaturen kan indstilles fra 5°C to 18°C.

U1: Funktional knap, der er fem funktioner fra ikon 0 mod højre side.

U2: Justeringsknap, justering af den valgte funktion på U1-knappen.

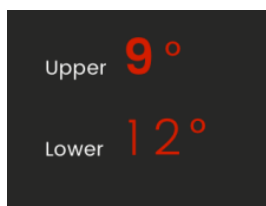
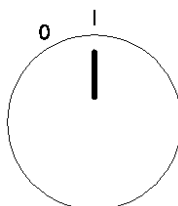
Instruktion for knappen U1 og U2.

1. Ikon 0: Sluk



Adjust Skru på U1 til 0 for at slukke apparatet. Lyset bag knappen U1 vil være rødt, men resten af lyset i displayet slukker.

2. Tænd og temperatur indstilling for øverste zone.



A. Sæt U1-knappen til I, så kan du justere temperaturen ved at dreje U2-knappen. Når displayets temperatur ændrer sig fra slank til fed, kan du vælge den ønskede temperatur til din vin i den øverste zone.

B. Drej U2-knappen til venstre for at reducere den indstillede temperatur og drej U2-knappen til højre for at øge den indstillede temperatur.

C. Temperaturjusteringsområdet er 5-18 °C for Celsius; og temperaturjusteringsområdet er 41-64°F for Fahrenheit.

3. Første step på højre side af ikon I: Tænd og temperatur indstilling for nederste zone.

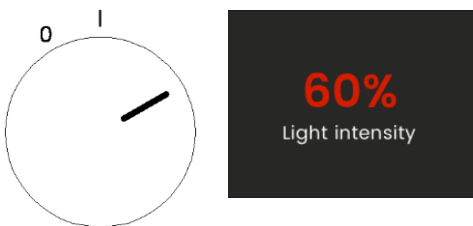


A. Sæt U1-knappen til I, så kan du justere temperaturen ved at dreje U2-knappen. Når displayets temperatur ændrer sig fra slank til fed, kan du vælge den ønskede temperatur til din vin i den øverste zone.

B. Drej U2-knappen til venstre for at reducere den indstillede temperatur og drej U2-knappen til højre for at øge den indstillede temperatur.

C. Temperaturjusteringsområdet er 5-18 °C for Celsius; og temperaturjusteringsområdet er 41-64 °F for Fahrenheit.

4. Andet step på højre side af ikon I: Juster lysstyrken af LED lyset.



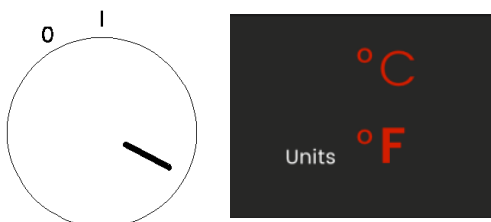
Juster U1 til denne position. Der er 6 lysstyrkeniveauer for LED-lyset: 0%-20%-40%-60%-80%-100% vælg mellem de forskellige ved at dreje U2-knappen.

5. Third gear on the right side of Icon I: Alternate the LED light color.



Juster U1-knappen til denne position. LED-lysfarven kan skiftes ved at dreje på U2-knappen. Den valgte farve vil blive vist på skærmen. Blinkende og skrifttypen blev tykkere.

6. Fjerde step på højre side af ikon I: Vælg temperaturvisningen, vælg mellem Celsius og Fahrenheit.





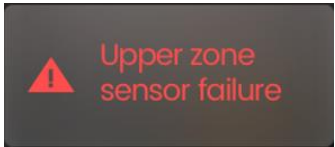


Juster U1- knappen til denne position. Du kan vælge Celsius eller Fahrenheit. Den valgte displaytemperatur vil blinke, og skrifttypen blev tykkere.

### Temperaturhukommelsesfunktion

I tilfælde af strømafbrydelse kan enheden huske de tidligere temperaturindstillinger, og når strømmen kommer tilbage, vil skabstemperaturen gå tilbage til den samme indstillingstemperatur som før.

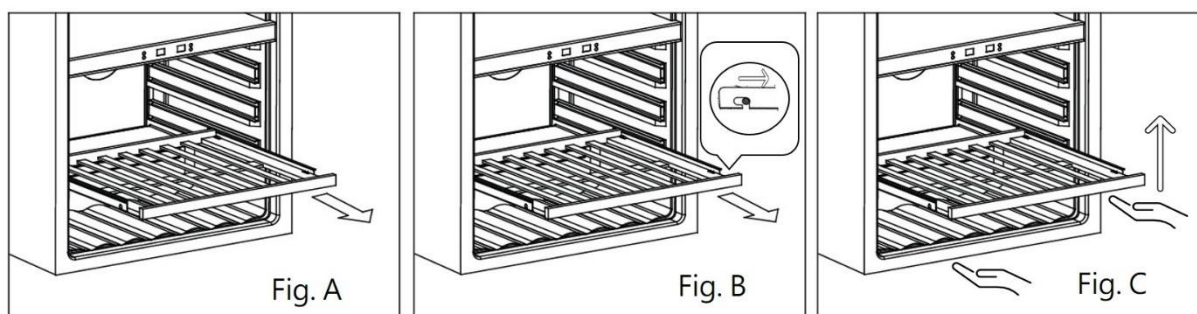
### Fejlmeddelelse

SERIE NUMMER	PROBLEM	LØSNING	DISPLAY
1	Systemet registrerede, at temperaturen i den øvre zone fortsat var for lav.	Det er nødvendigt at undersøge, om køleanlægget er defekt, eller om det kan løses ved at genstarte apparatet. Når strømmen er helt slukket, skal du tænde den igen. Hvis dette problem stadig opstår, bedes du kontakte Service afdelingen for at yde teknisk support.	
2	Systemet registrerede, at temperaturen i den nederste zone fortsat er for lav.	Det er nødvendigt at undersøge, om køleanlægget er defekt, eller om det kan løses ved at genstarte apparatet. Når strømmen er helt slukket, skal du tænde den igen. Hvis dette problem stadig opstår, bedes du kontakte Service afdelingen for at yde teknisk support.	
3	Systemet registrerede, at indendørstemperaturen i den øvre zone fortsat er for højt.	Det er nødvendigt at undersøge, om køleanlægget er defekt, eller om det kan løses ved at genstarte apparatet. Når strømmen er helt slukket, skal du tænde den igen. Hvis dette problem stadig opstår, bedes du kontakte Service afdelingen for at yde teknisk support.	
4	Systemet registrerede, at indendørstemperaturen i den nedre zone fortsat er for højt.	Det er nødvendigt at undersøge, om køleanlægget er defekt, eller om det kan løses ved at genstarte apparatet. Når strømmen er helt slukket, skal du tænde den igen. Hvis dette problem stadig opstår, bedes du kontakte Service afdelingen for at yde teknisk support.	
5	Systemet registrerede en fejl i den øvre kammersensor.	Når strømmen er helt slukket, skal du tænde den igen. Hvis dette problem stadig opstår, bedes du kontakte Service afdelingen for at yde teknisk support.	

6	Systemet registrerede en fejl i den nederste kammersensor.	Når strømmen er helt slukket, skal du tænde den igen. Hvis dette problem stadig opstår, bedes du kontakte Service afdelingen for at yde teknisk support.	
7	Systemet registrerede, at forbindelsen til bundkortet ikke kan oprettes.	Når strømmen er helt slukket, skal du tænde den igen. Hvis dette problem stadig opstår, bedes du kontakte Service afdelingen for at yde teknisk support.	
8	Døren har været åben for længe.	Luk døren.	
9	Apparatets kulfilter har ikke været udskiftet i lang tid.	Skift kulfilteret. Alarmen kan slukket ved blot at lave en handling på apparatet.	

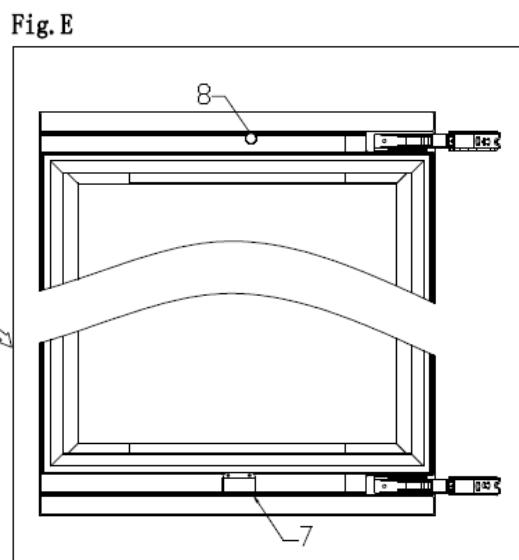
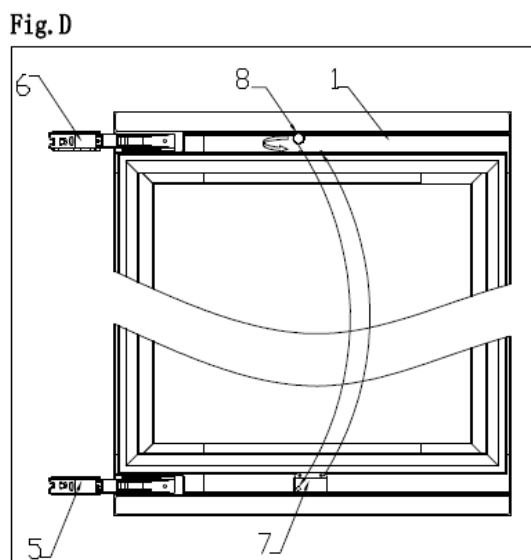
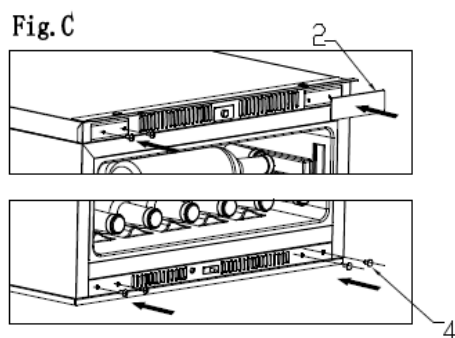
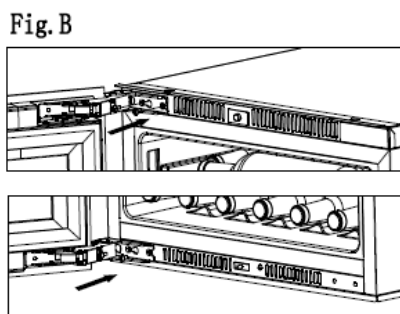
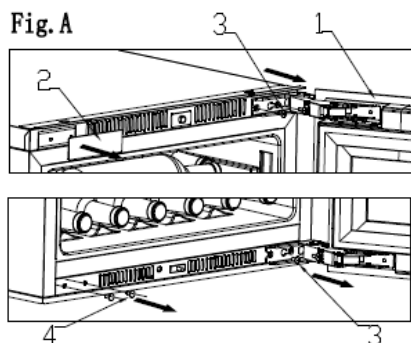
### **Sådan fjerner du en hylde**

- For at undgå at beskadige dørpakningen skal du sørge for at have lågen helt åben, når du trækker hylder ud af skinnerne.
- Sådan fjernes hylderne:
  1. Træk den hylde du ønsker at fjerne helt ud (Fig. A)
  2. Træk hylden mod dig selv indtil hylden frigøres. (Fig. B)
  3. Hold hylden med begge hænder og tag hylden op af (Fig. C)



## Vend døren på vinkøleskabet

Sådan vender du døren fra højre til venstre vendt



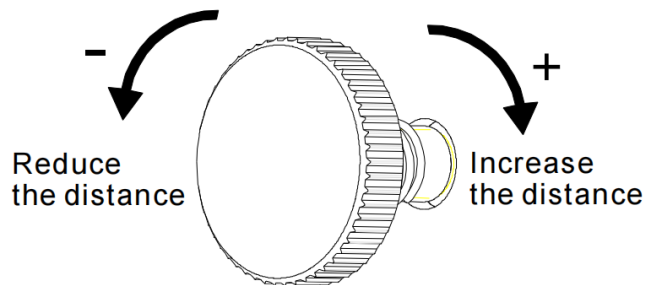
1. dør 2. hængsels afdækning 3. skruer 4. pyntesøm 5/6.dør hængsel 7. trykplade på dørlampe 8. M5 skruer

1. Åben døren og fjern hængsel afdækningen (2) på det øverste venstre hjørne og pyntesømmene (4) på det nederste venstre hjørne.
  2. Fjern alle skruerne (3) fra det øverste hængsel og fjern døren (Fig.A).
  3. Fjern trykpladen fra dør lampen (7) og installer den på den øverste dør ramme, roter M5 skruen (8) til venstre, fjern og installer den nederste dør ramme, og rotér døren 180 grader (Fig.D, E).
  4. Sæt skruerne i det øverste venstre hjørne og det nederste venstre voks. Værd forsigtig ikke at stram dem for meget (Fig.B).
  5. Sæt dørhængsel ind i skruerne i det øverste venstre hjørne. Sørg for den er lige og spænd skruerne for at sikre at dørhængsel er stramt (Fig.B).
  6. Til sidst sæt igen hængsels afdækningen (2) og pyntesømmene (4) i det øverste højre hjørne og i boksen på nederste højre hjørne (Fig.C).
- Bemærk: I skal være 2 personer for at vende døren.

### **Automatisk døråbning**

Den automtiske døråbning virker ved at presse på knappen I fronten af kabinettet som aktiverer funktionen. Dør afstanden kan ændre sig pågrund af vibrationer, fragt eller andet. Dette kan gøre at funktionen ikke virker. Check derfor afstanden mellem knappen/åbningsfunktionen og døren. Hvis nødvendigt juster ved hjælp af Knappen.

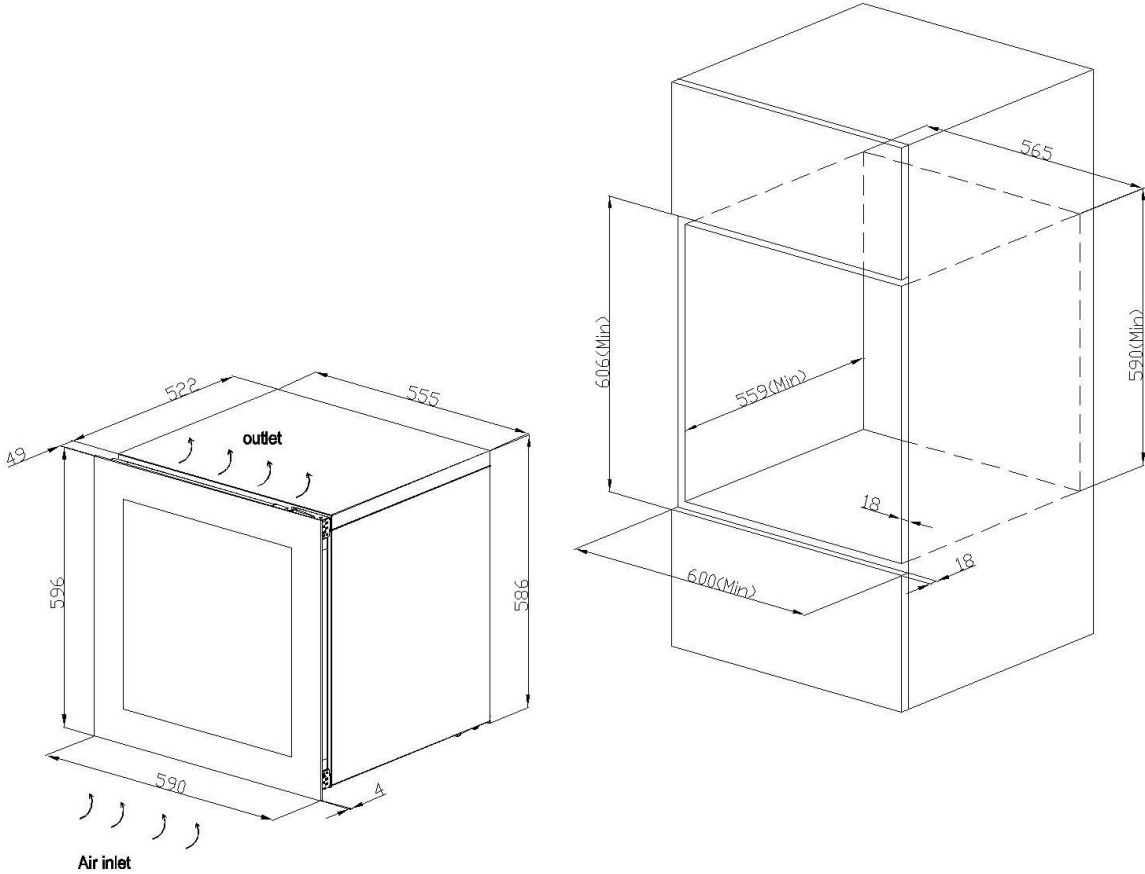
1. Døren åbner automatisk efter strømmen tændes, dette viser at afstanden er for lille.
2. Der er ingen repons når der trykkes på døren hårdt. Dette viser at afstanden er for stor.
3. Døren åbner automatisk bare ved et lille tryk. Dette betyder at afstanden er for lille.



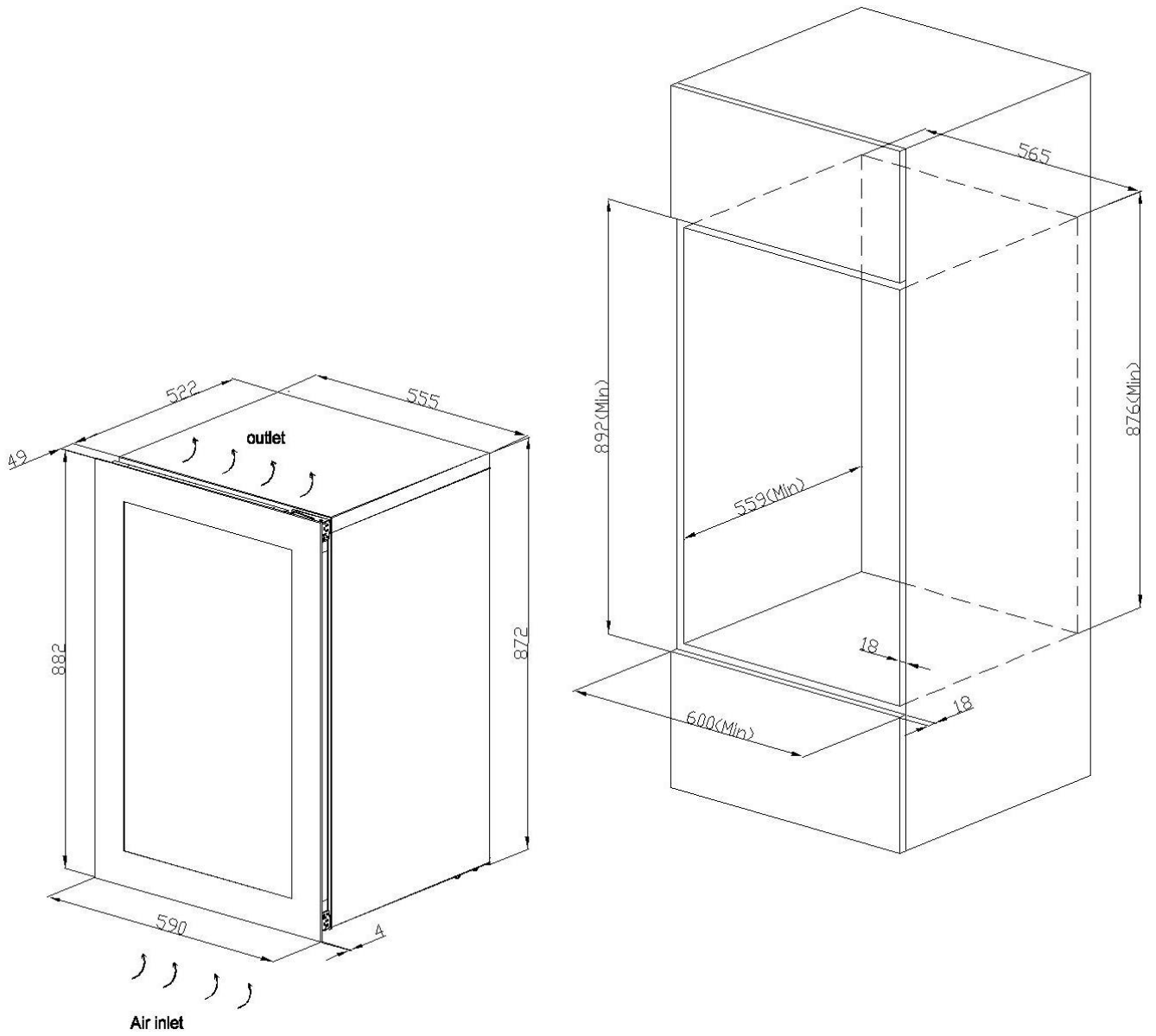
## Adjusting knob

Juster venligst knappen på basis af 1/4-cirklen i ovenstående tilfælde: drej til venstre, knappen er forlænget ud af dørkarmen; drejes til højre, trækkes knappen ind i dørkarmen.

**Installations specification for indbygning**  
**For PIM41D-BP**

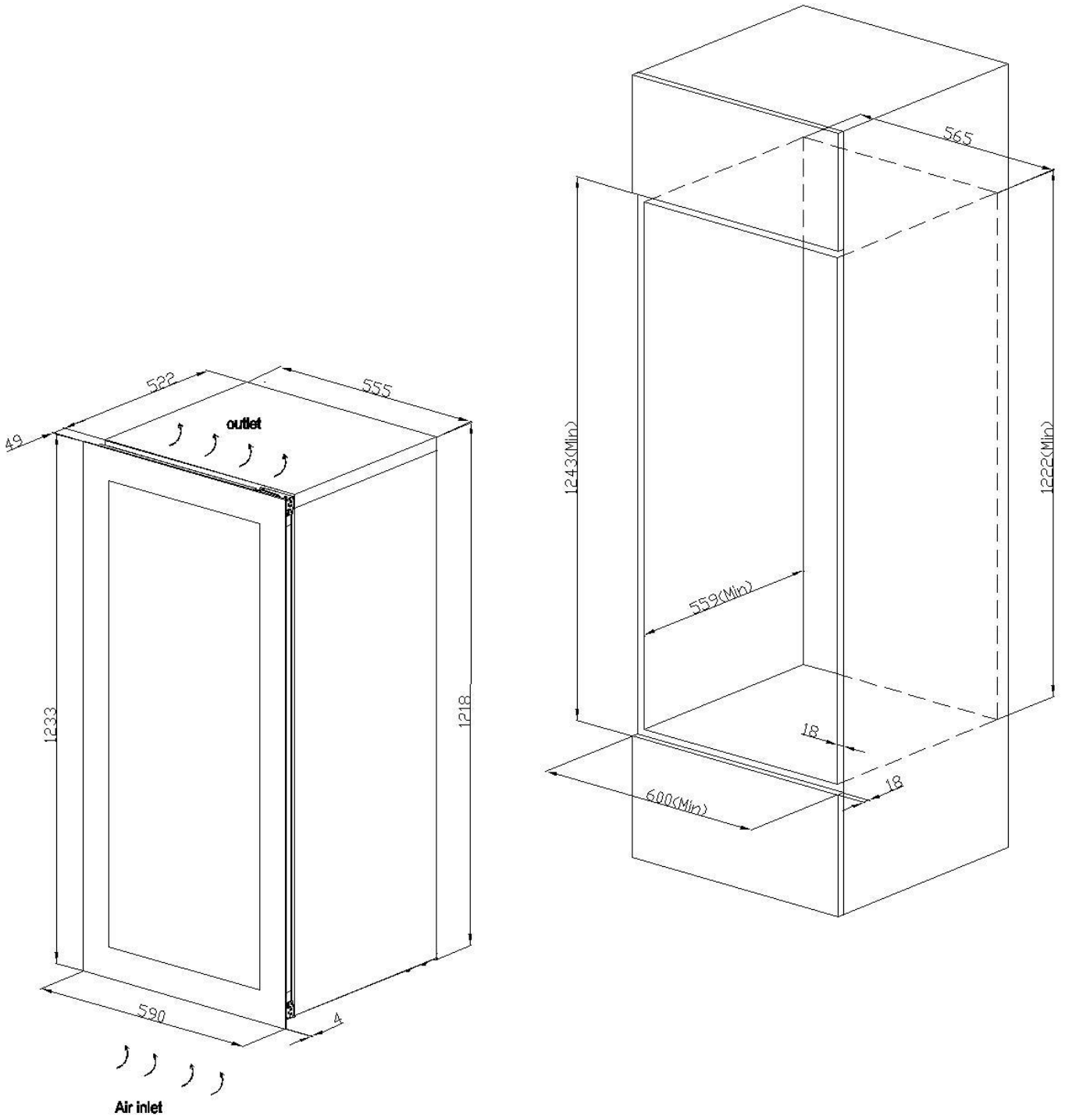


For PIM48D-BP





For PIM72D-BP



### Anbefalede temperaturindstillinger

Til opbevaring af ALLE TYPER VINE	12 °c til 14 °c
Champagne NV, Mousserende	6 °c
Champagne Vintage	10 °c
Tør hvid Semillon, Sauvignon Blanc	8 °c
Tør hvid Gewurstraminer, Riesling	10 °c
Tør hvid Chardonnay	10 °c
Vintage chardonnay	14 °c
Sød hvid Sauternes Monbazillac, Late Harvest ice wine	10 °c
Sød hvid vintage Sauternes	14 °c
Beaujolais	13 °c
Rød Pinot Noir	16 °c
Vintage Pinot noir rød	20 °c
Rød Cabernet, Merlot, French, Australian, New Zealand, Chilean, Argentinean, Italian, Spanish, Californian	20 °c
Rød Grenache, Syrah	16 °c

## PLEJE OG VEDLIGEHOLDELSE

### Rengør dit vinkøleskab

- Sluk for strømmen, tag stikket ud af apparatet, og fjern alle genstande inklusive hylder.
- Vask de indvendige overflader med varmt vand og mildt rengøringsmiddel.
- Vask hylderne med et mildt rengøringsmiddel.
- Vrid overskydende vand ud af svampen eller kluden, når du rengør området af kontrolknapperne eller elektriske dele.
- Vask det udvendige kabinet med varmt vand og et mildt flydende rengøringsmiddel. Skyl godt og tør af med en ren, blød klud.

### Strømsvigt

- De fleste strømsvigt korrigeres inden for et par timer og bør ikke påvirke temperaturen på dit apparat, hvis du minimerer antallet af gange, døren åbnes. Hvis strømmen skal være slukket i en længere periode, skal du tage de forholdsregler der er nødvendige for at beskytte indholdet.

### Ferie

- **Kort ferie:** Lad vinkøleren køre i ferier på mindre end tre uger.
- **Lang ferie:** Hvis apparatet ikke skal bruges i flere måneder, bør du fjerne alle genstande og slukke for apparatet. Rengør og tør indvendigt grundigt. For at forhindre lugt- og skimmelvækst, lad døren stå lidt åben, sæt eventuelt noget i klemme i døren så den ikke lukker.

### Flyt dit vinkøleskab

- Fjern alle genstande fra apparatet.
- Tag de løse genstande ud af vinkøleren (såsom hylder) eller fastgør de løse genstande.
- Drej det justerbare ben helt op for at undgå beskadigelse.
- Luk døren og fastgør den med tape.
- Sørg for, at apparatet forbliver sikkert i opretstående position under transport. Beskyt også ydersiden af apparatet med et tæppe eller lignende.

### Tips til energibesparelse

- Vinkøleren bør placeres i det køligste område af rummet, væk fra apparater der producerer varme og væk fra direkte sollys.

ALLE APPARATER ER DESIGNET MED LED-LYS. KONTAKT MED SERVICE AFDELINGEN FOR AT UDSKIFTE DET.

## PROBLEMER MED DIT VINKØLESKAB

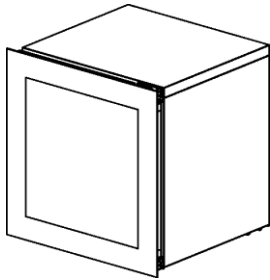
Du kan nemt løse mange almindelige problemer med vinkøleskabet, hvilket sparer dig for omkostningerne ved et eventuelt serviceopgaver. Prøv nedenstående forslag for at se, om du kan løse problemet, før du kontakter serviceafdelingen.

### Fejlfindingsguide

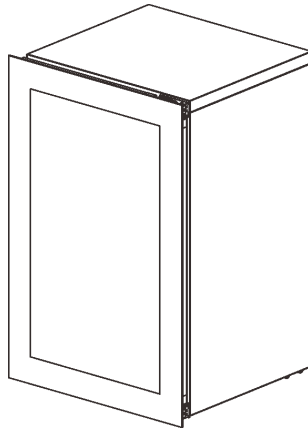
PROBLEM	MULIG ÅRSAG
Vinkøleskabet fungerer ikke.	Ikke tilsluttet. Apparatet er slukket. Afbryderen er udløst, eller en sikring er sprunget.
Vinkøleskabet er ikke koldt nok.	Kontroller temperaturkontrolindstillingen. Eksternt miljø kan være for varmt. Døren er åben for ofte. Døren er ikke lukket helt. Dørpakningen tætnes ikke ordentligt.
Tænder og slukker ofte	Rumtemperaturen er varmere end normalt. En stor mængde indhold er blevet tilføjet til vinkøleskabet. Døren er åben for ofte. Døren er ikke lukket helt. Temperaturstyringen er ikke indstillet korrekt. Dørpakningen tætnes ikke ordentligt.
Lyset virker ikke.	Ikke tilsluttet. Afbryderen er udløst, eller en sikring er sprunget. Pæren er brændt ud. Lysknappen er "OFF".
Vibrationer	Tjek for at sikre, at vinkøleskabet er i vater.
Vinkøleskabet ser ud til at larme for meget	Den raslende støj kan komme fra kølemidlets strømning, hvilket er normalt. Når hver cyklus slutter, kan du høre gurglende lyde forårsaget af strømmen af kølemiddel i dit vinkøleskab. Sammentrækning og udvidelse af de indvendige vægge kan forårsage knaldende og knitrende lyde. Vinkøleskabet er ikke i vater.
Døren lukker ikke ordentligt.	Vinkøleskabet er ikke i vater. Døren var vendt og ikke korrekt installeret. Pakningen er snavset. Hyldeerne er ude af position.
Der dannes kondens på døren.	Der vil dannes kondens på døren på grund af høj luftfugtighed i området. Installer apparatet med tilstrækkelig ventilation i et tørt og/eller klimatiseret rum.
Der kan dannes kondensvand på glasdøren.	Der vil dannes kondens på døren på grund af høj luftfugtighed i området. Installer apparatet med tilstrækkelig ventilation i et tørt og/eller klimatiseret rum

# Weinkühlschrank

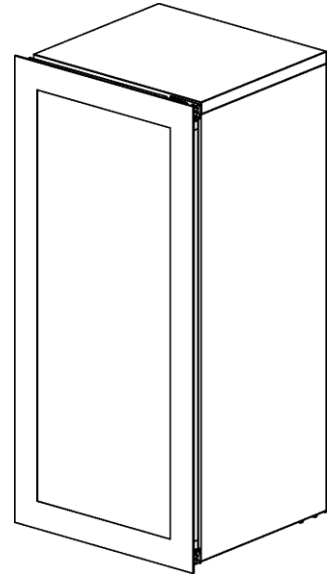
## Arbeitsanleitungen



**PIM41D-BP**



**PIM48D-BP**



**PIM72D-BP**

[www.pevino.com](http://www.pevino.com)

**VOR GEBRAUCH ALLE SICHERHEITS- UND BETRIEBSANWEISUNGEN LESEN UND BEFOLGEN.**

## WARNHINWEISE!

- Um Schäden an der Türdichtung zu vermeiden, stellen Sie sicher, dass die Tür vollständig geöffnet ist, wenn Sie die Einlegeböden auf den Schienen herausziehen.
- Das Gerät muss so aufgestellt werden, dass der Stecker zugänglich ist. Leitung lösen. Bewegen Sie Ihren Schrank an seinen endgültigen Platz. Bewegen Sie Ihren Schrank nicht, wenn er mit Wein gefüllt ist.
- Dieses Gerät ist nicht dafür bestimmt, durch Personen (einschließlich Kinder) mit eingeschränkten physischen, sensorischen oder mentalen Fähigkeiten oder Mangel an Erfahrung und Wissen benutzt zu werden, es sei denn, sie werden durch eine für ihre Sicherheit zuständige Person beaufsichtigt oder erhalten von ihr Anweisungen, wie das Gerät zu benutzen ist.
- Kinder sollten beaufsichtigt werden, um sicherzustellen, dass sie nicht mit dem Gerät spielen.
- Wenn das Netzkabel beschädigt ist, muss es durch den Hersteller oder eine qualifizierte Elektrofachkraft ersetzt werden.

Dieses Gerät kann von Kindern ab 8 Jahren und darüber sowie von Personen mit verringerten physischen sensorischen oder mentalen Fähigkeiten oder Mangel an Erfahrung und Wissen benutzt werden, wenn sie beaufsichtigt werden oder nicht mit dem Gerät spielen. Sie dürfen das Produkt nicht reinigen und warten.

– **WARNHINWEISE:** Halten Sie die Lüftungsöffnungen im Gehäuse des Geräts oder in der Einbaukonstruktion frei.

– **WARNHINWEISE:** Verwenden Sie keine mechanischen oder anderen Mittel, um den Abtauvorgang zu beschleunigen, außer den vom Hersteller empfohlenen Mitteln.

– **WARNHINWEISE:** Kältemittelkreislauf nicht beschädigen.

– **WARNHINWEISE:** Verwenden Sie in den Ablagefächern des Geräts nur vom Hersteller empfohlene elektrische Geräte.

Dieses Kühlgerät ist nicht zum Einfrieren von Lebensmitteln geeignet.

Bewahren Sie keine explosiven Stoffe wie Sprühdosen mit brennbarem Treibstoff im Gerät auf.

Dieses Gerät ist für den Einsatz in Haushalten und ähnlichen Anwendungen wie z. B.

– Personalküchenbereiche in Geschäften, Büros und anderen Arbeitsumgebungen.

– Bauernhäusern und von Kunden in Hotels, Motels und anderen Wohngebäuden.

– Bett und Frühstück.

– Catering und ähnliche Nicht-Einzelhandelsanwendungen.

– **WARNHINWEISE:** Um Gefahren durch Instabilität des Geräts zu vermeiden, muss es gemäß den Anweisungen montiert werden.

Um eine Kontamination von Wein zu vermeiden, beachten Sie die folgenden Anweisungen:

– Ein längeres Öffnen der Tür kann zu einem erheblichen Anstieg der Temperatur im Gerät führen.

– Reinigen Sie regelmäßig Oberflächen, die mit Flaschen und zugänglichen Abflüssen in Berührung kommen können.

– Reinigen Sie die Wassertanks, wenn sie 48 Stunden lang nicht benutzt wurden.

– Wenn das Kühlgerät für längere Zeit leer gelassen wird, schalten Sie es aus, tauen Sie es ab, reinigen Sie es, trocknen Sie es und lassen Sie die Tür offen, um Schimmelbildung im Gerät zu verhindern.

**VERSUCHEN SIE UNTER KEINEN UMSTÄNDEN, DAS KABEL ANZUSCHLIESSEN ODER ZU VERLÄNGERN.**

## WICHTIGE SICHERHEITSHINWEISE

### ⚡ WARNUNG ⚡

Befolgen Sie diese grundlegenden Vorsichtsmaßnahmen, um die Gefahr von Feuer, Stromschlag oder Verletzungen bei der Verwendung Ihres Geräts zu verringern:

- Lesen Sie alle Anweisungen, bevor Sie den Weinkühler verwenden.
- **GEFAHR oder WARNUNG:** Einklemmgefahr für Kinder. Unerwünschte oder zurückgelassene Geräte sind gefährlich, auch wenn sie „nur ein paar Tage in der Garage bleiben“. Kinder können eingeklemmt oder eingeklemmt werden.
- **Bevor Sie Ihren alten Weinkühlschrank entsorgen:** Die Tür abnehmen. Lassen Sie die Regale im Schrank, damit Kinder nicht leicht hineinklettern können.
- Lassen Sie Kinder niemals das Gerät bedienen, mit ihm spielen oder in das Gerät kriechen.
- Reinigen Sie niemals Teile des Geräts mit brennbaren Flüssigkeiten. Dämpfe können Brand- oder Explosionsgefahr darstellen.
- Lagern oder verwenden Sie kein Benzin oder andere brennbare Dämpfe und Flüssigkeiten in der Nähe dieses oder eines anderen Geräts. Dämpfe können Brand- oder Explosionsgefahr darstellen. Bewahren Sie in diesem Gerät keine explosiven Stoffe wie Sprühdosen mit brennbarem Treibstoff auf.
- **WARNHINWEISE:** Halten Sie die Lüftungsöffnungen im Gehäuse des Geräts oder in der Einbaukonstruktion frei.
- Verwenden Sie keine mechanischen oder anderen Mittel, um den Abtauvorgang zu beschleunigen, außer den vom Hersteller empfohlenen Mitteln.
- **WARNHINWEISE:** Um Gefahren durch Instabilität des Geräts zu vermeiden, muss es gemäß den Anweisungen befestigt werden.
- **WARNHINWEISE:** Kältemittelkreislauf nicht beschädigen.
- **WARNHINWEISE:** Betreiben Sie in den Ablagefächern des Geräts keine elektrischen Geräte, es sei denn, es handelt sich um vom Hersteller empfohlene Geräte.
- **Dieses Gerät enthält eine geringe Menge des Kältemittels R600a, das umweltfreundlich, aber entzündlich ist.**



- Bewahren Sie diese Anleitung auf-

# INSTALLATION INSTRUKTIONER

## Vor der Verwendung Ihres Weinkühlers

- Entfernen Sie die äußere und innere Verpackung.
- Bevor Sie den Weinkühlschrank an die Stromquelle anschließen, lassen Sie ihn etwa 12–24 Stunden aufrecht stehen. Dadurch wird die Möglichkeit einer Fehlfunktion des Kühlsystems verringert.
- Reinigen Sie die Innenflächen mit einem weichen Tuch und lauwarmem Wasser.
- Dieses Gerät ist für den Einsatz in Haushalten und ähnlichen Anwendungen wie z. B.
  - Personalküchenbereiche in Geschäften, Büros und anderen Arbeitsumgebungen.
  - Bauernhäusern und von Kunden in Hotels, Motels und anderen Wohngebäuden.
  - Bett und Frühstück.
  - Catering und ähnliche Nicht-Einzelhandelsanwendungen.
- Wählen Sie bei der Entsorgung Ihres Geräts eine autorisierte Entsorgungsstelle.

## Installation Ihres Weinkühlschranks

- Das Gerät ist als freistehendes oder eingebautes Gerät konzipiert.
- **Dieses Gerät ist ausschließlich für die Lagerung von Wein bestimmt.**
- Stellen Sie Ihren Weinkühlschrank auf einen Boden oder eine Oberfläche, der/die stark genug ist, um ihn zu tragen, wenn er voll beladen ist. Stellen Sie sicher, dass der Weinkühlschrank vollständig waagrecht steht, indem Sie die Füße unter dem Boden ausrichten.
- Dieses Gerät verwendet brennbares Kältemittel. Beschädigen Sie daher niemals die Kältemittelleitung während des Transports. Stellen Sie den Weinkühlschrank fern von direkter Sonneneinstrahlung und Wärmequellen (Kamin, Heizgerät, Heizkörper usw.) auf. Direktes Sonnenlicht kann den Acrylüberzug beeinträchtigen und Wärmequellen können den Stromverbrauch erhöhen.
- Stellen Sie das Gerät nicht in feuchten Bereichen auf.
- Schließen Sie den Weinkühlschrank an eine geerdete Steckdose an. Wenden Sie sich bei Fragen zur Elektrik an einen autorisierten Elektriker.
- Türgriffe, Türscharniere, Tablett und Körbe können für einen Mindestzeitraum von sieben Jahren und Türdichtungen für einen Mindestzeitraum von zehn Jahren nach der Markteinführung des letzten Modells erworben werden.
- Thermostate, Temperatursensoren, Leiterplatten und Lichtquellen sind für einen Zeitraum von mindestens 7 Jahren nach der Markteinführung des letzten Geräts des Modells verfügbar.

## Bitte beachten Sie folgende Hinweise:

- Wein in verschlossenen Flaschen aufbewahren.
- Überladen Sie den Schrank nicht.
- Öffnen Sie die Tür nur, wenn dies erforderlich ist.
- Decken Sie Regale nicht mit Aluminiumfolie oder anderen Regalmaterialien ab, die die Luftzirkulation behindern könnten.
- Sollte der Weinkühlschrank längere Zeit nicht benutzt werden, empfiehlt es sich, nach einer gründlichen Reinigung die Tür geschlossen zu lassen, damit die Luft im Inneren des Kühlschranks zirkulieren kann, um mögliche Bildung von Tau, Schimmel oder Gerüchen zu vermeiden.

## Umgebungstemperaturbereich

Dieses Gerät ist für den Betrieb bei Umgebungstemperaturen ausgelegt, die in der auf dem Typenschild angegebenen Temperaturklasse angegeben sind.

Klasse	Symbol	Umgebungstemperatur (°C)
Erweitert temperiert	SN	+10 bis +32
Temperiert	N	+16 bis +32
Subtropisch	ST	+16 bis +38
Tropisch	T	+16 bis +43



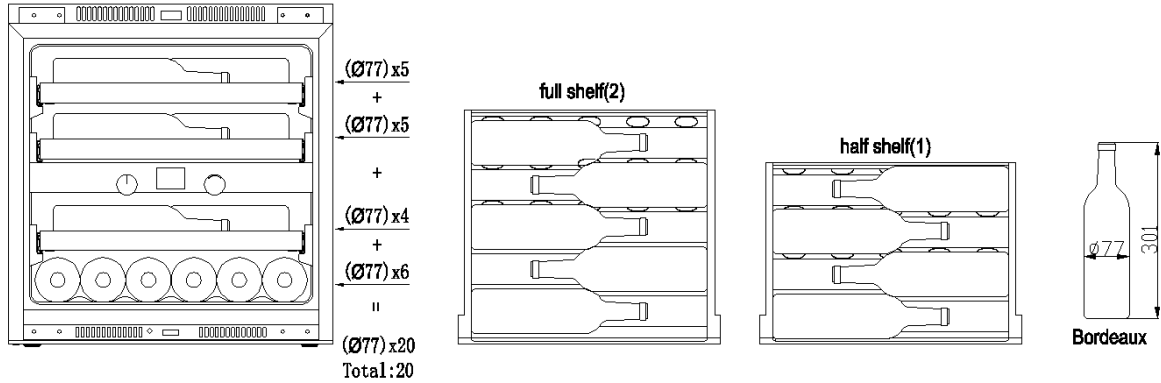
## Aufbewahrungsmöbel

Die maximale Anzahl der Flaschen, die in das Gehäuse gefüllt werden können, dient nur als Richtwert; Bei diesen Angaben handelt es sich um eine Schätzung, wie viele Flaschen das Gerät aufnehmen kann.

### Lagerung im PIM41D-BP

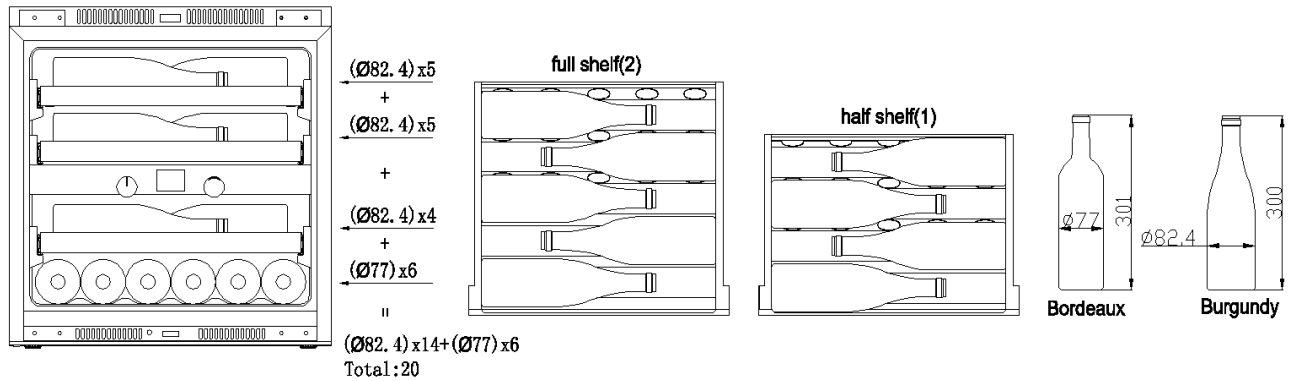
#### Vorschlag #1

Summe: 20 Flaschen (Bordeaux)



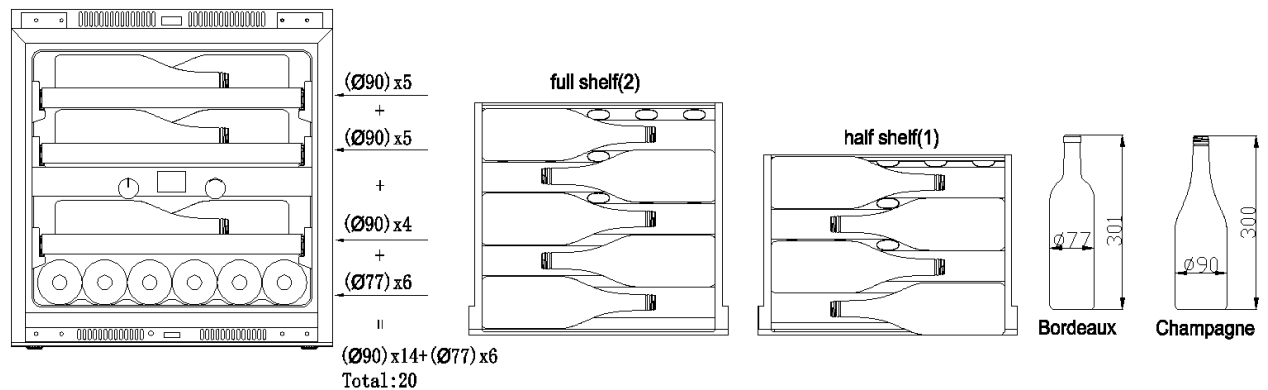
#### Vorschlag #2

Summe: 20 Flaschen (Bordeaux 6 Flaschen und Burgundy 14 Flaschen)



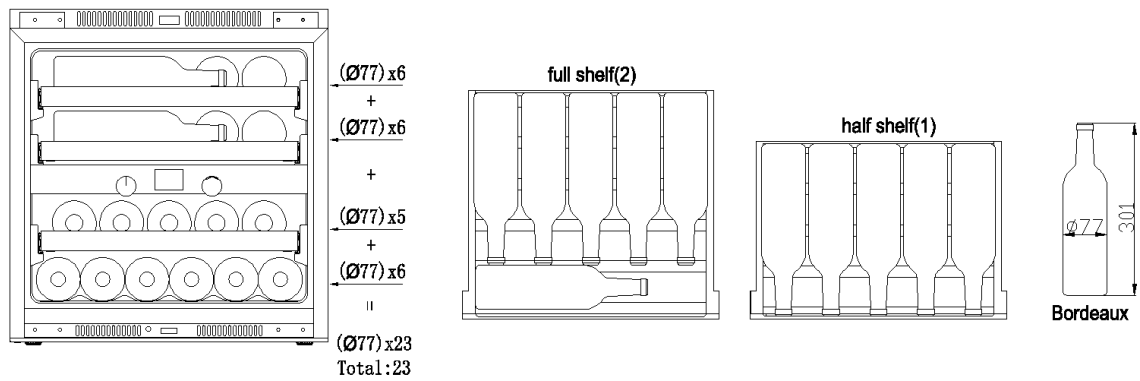
#### Vorschlag #3

Summe: 20 Flaschen (Bordeaux 6 Flaschen und champagne 14 Flaschen)



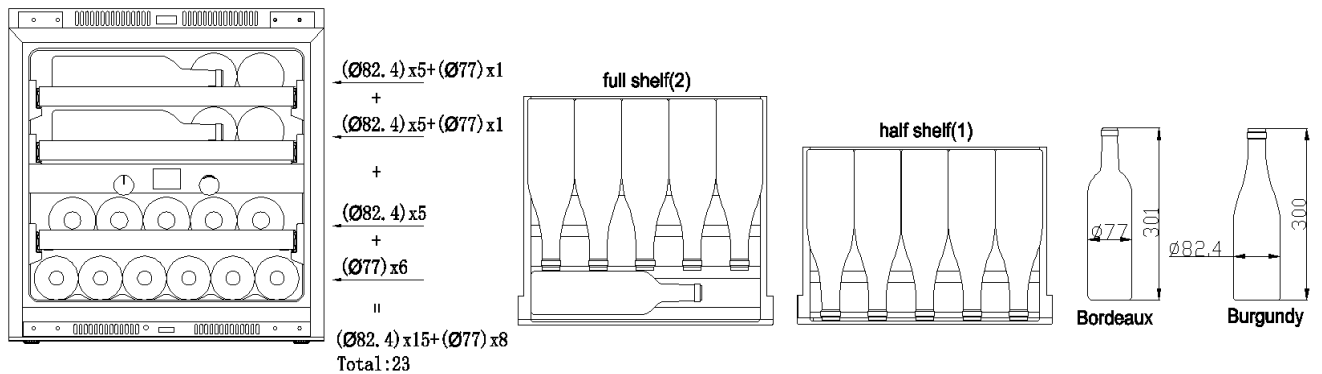
Vorschlag #4

Summe: 23 Flaschen (Bordeaux)



Vorschlag #5

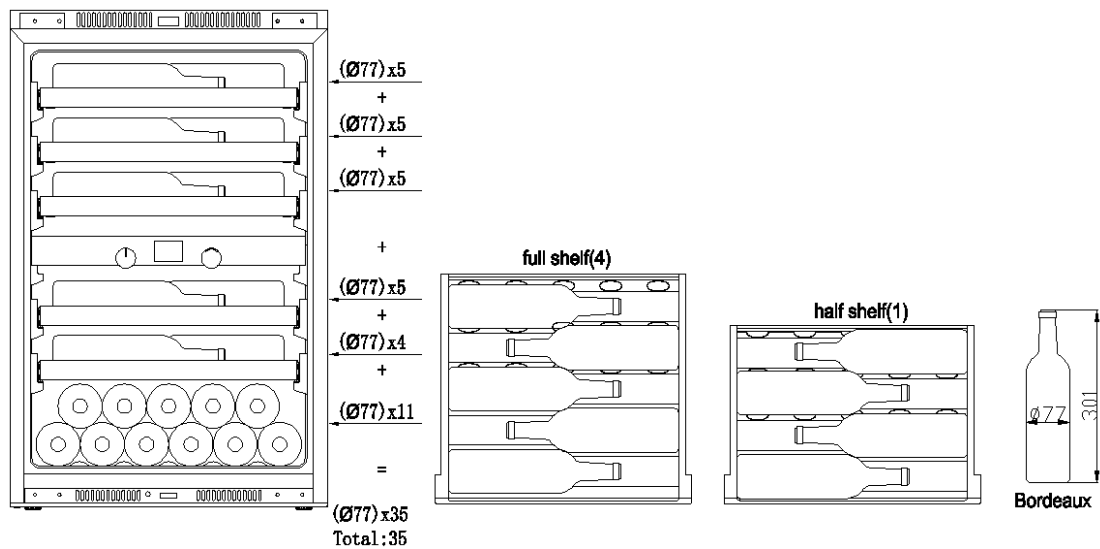
Summe: 23 Flaschen (Bordeaux 8 Flaschen und Burgundy 15 Flaschen)



Lagerung im PIM48D-BP

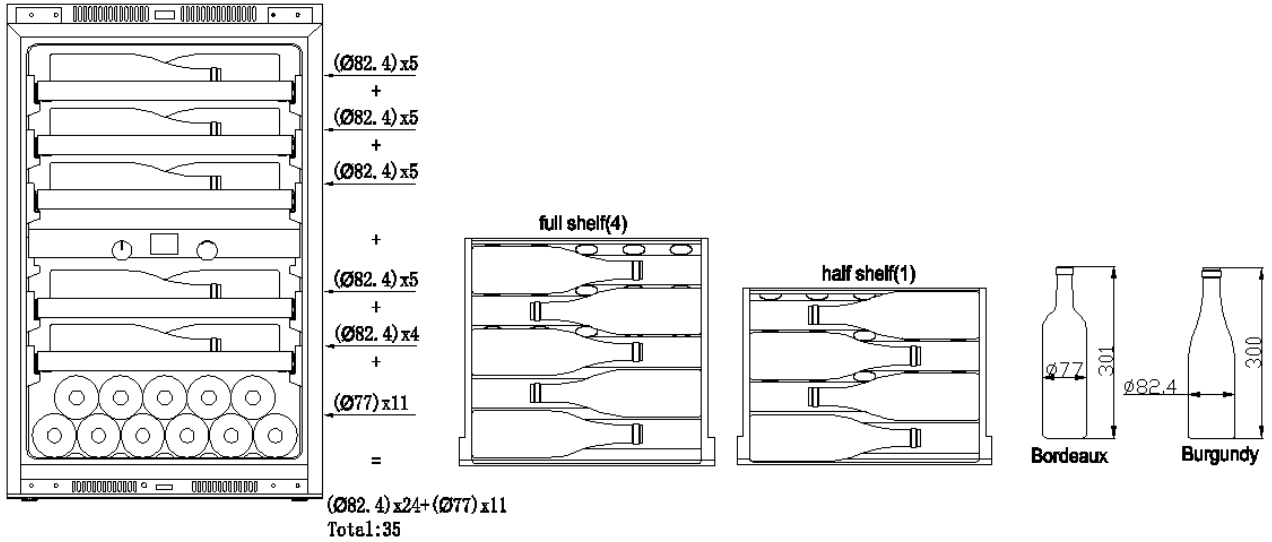
Vorschlag #1

Summe: 35 Flaschen (Bordeaux)



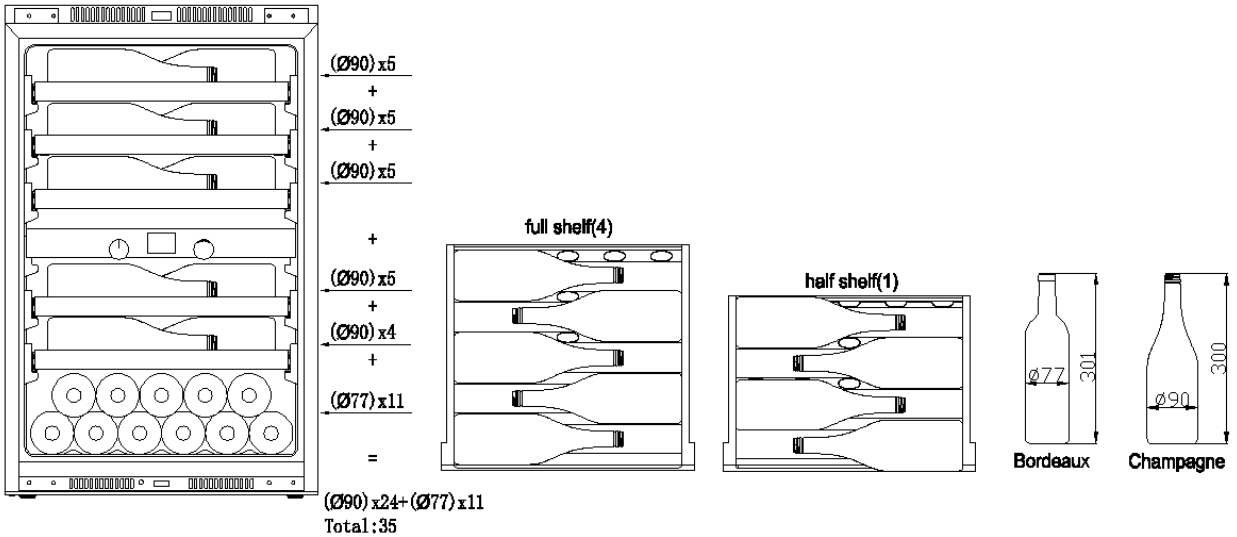
Vorschlag #2

Summe: 35 Flaschen (Bordeaux 11 Flaschen und Burgundy 24 Flaschen)



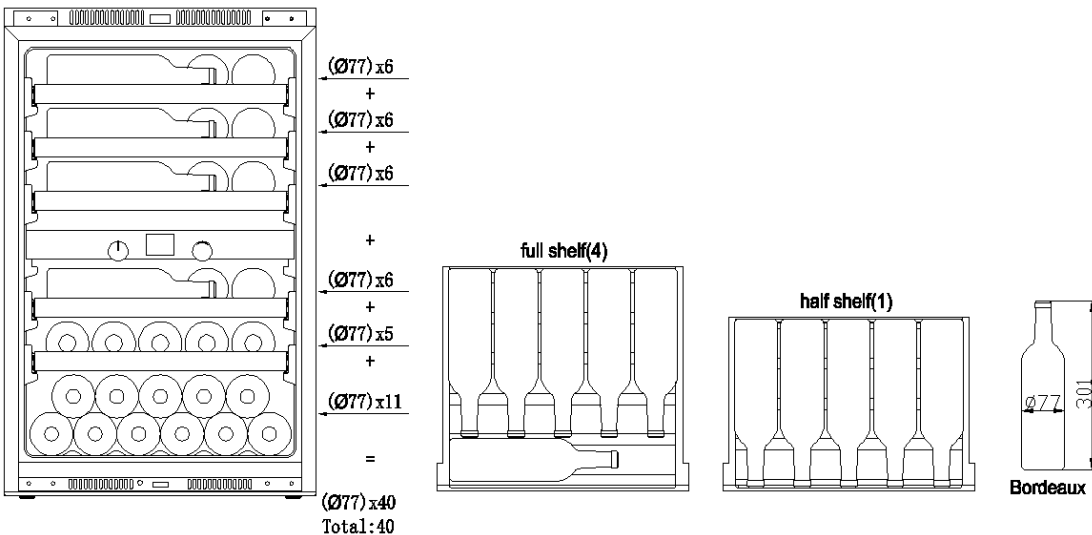
Vorschlag #3

Summe: 35 Flaschen (Bordeaux 11 Flaschen und champagne 24 Flaschen)



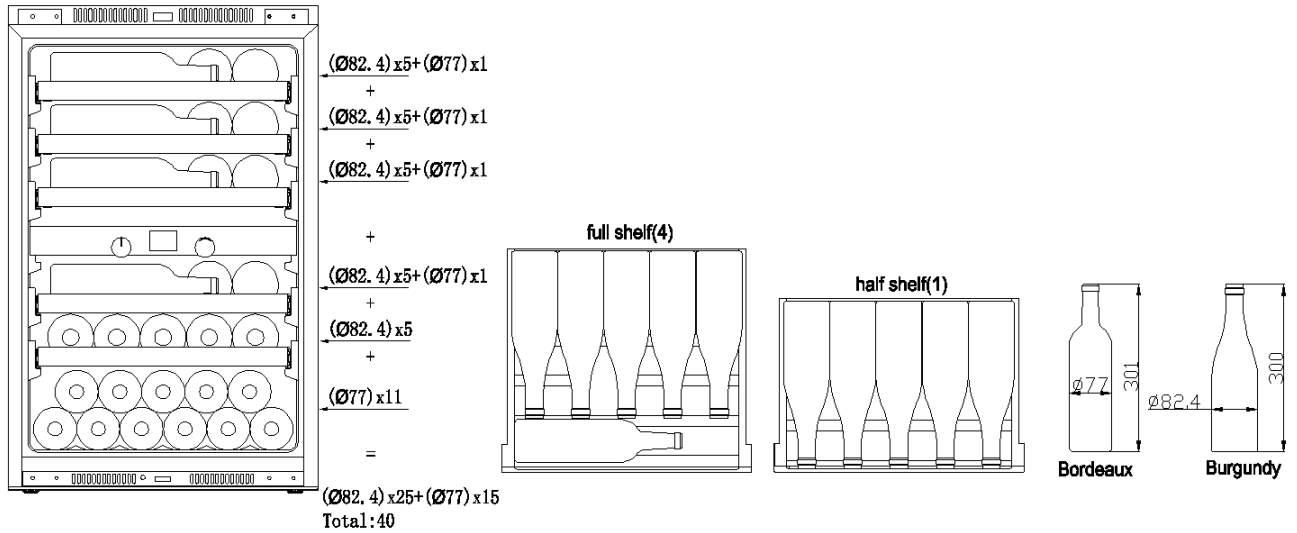
Vorschlag #4

Summe: 40 Flaschen (Bordeaux)



Vorschlag #5

Summe: 40 Flaschen (Bordeaux 15 Flaschen und Burgundy 25 Flaschen)

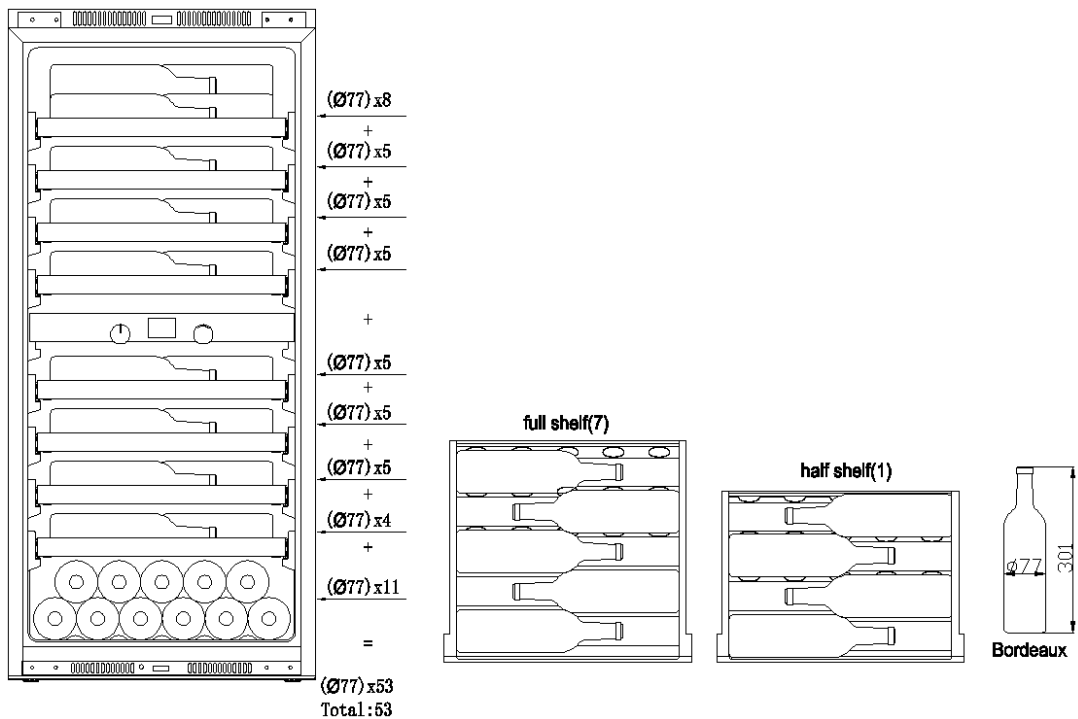


Lagerung im PIM72D-BP

Vorschlag #1

Summe: 53 Flaschen (Bordeaux)

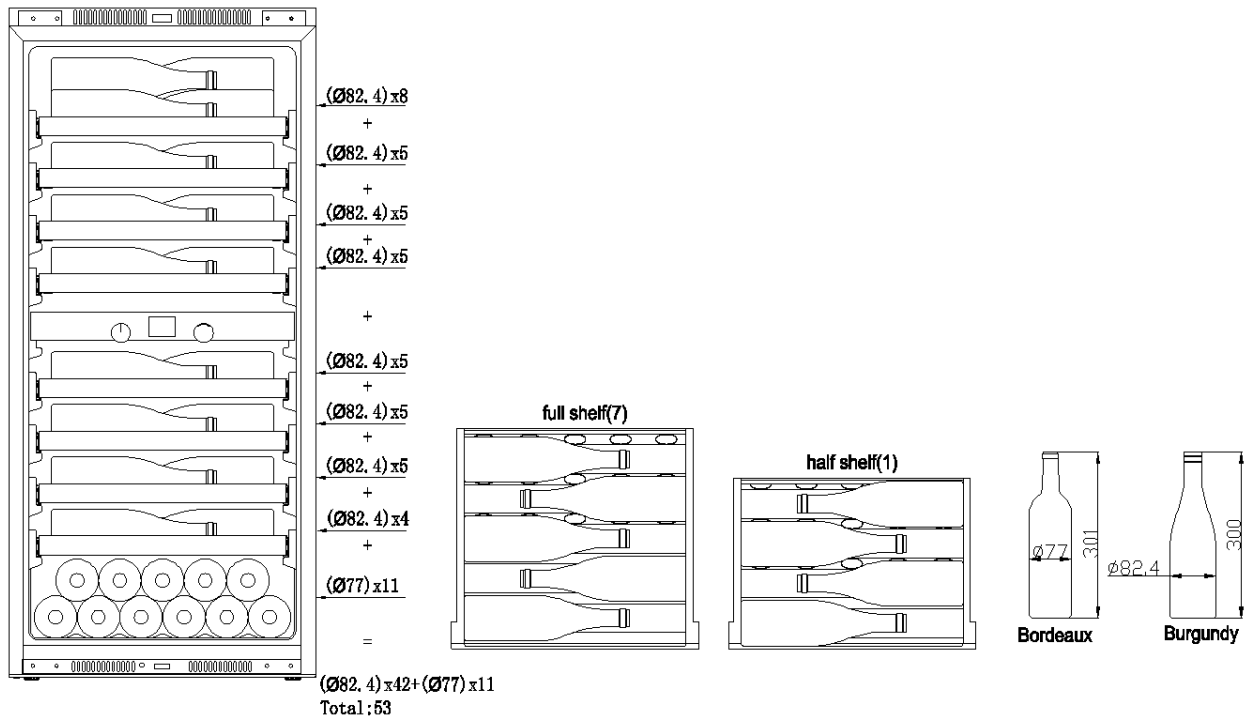
Hinweis: Wenn Sie die obere Flaschenschicht entfernen, entfernen Sie nicht das Regal



Vorschlag #2

Summe: 53 Flaschen (Bordeaux 11 Flaschen und Burgundy 42 Flaschen)

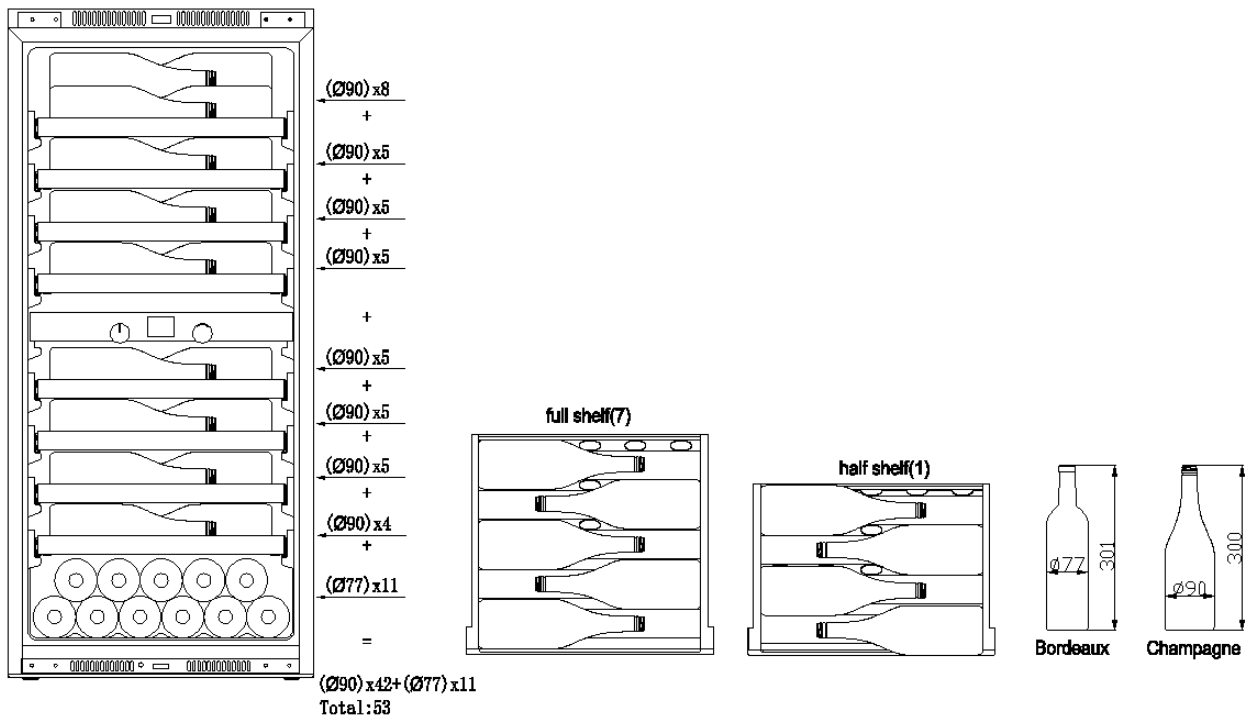
Hinweis: Wenn Sie die obere Flaschenschicht entfernen, entfernen Sie nicht das Regal



Vorschlag #3

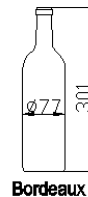
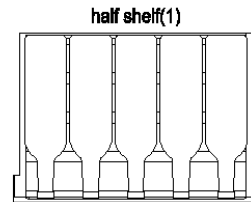
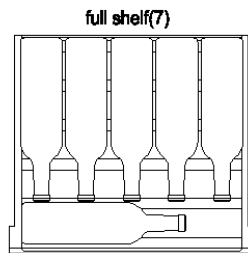
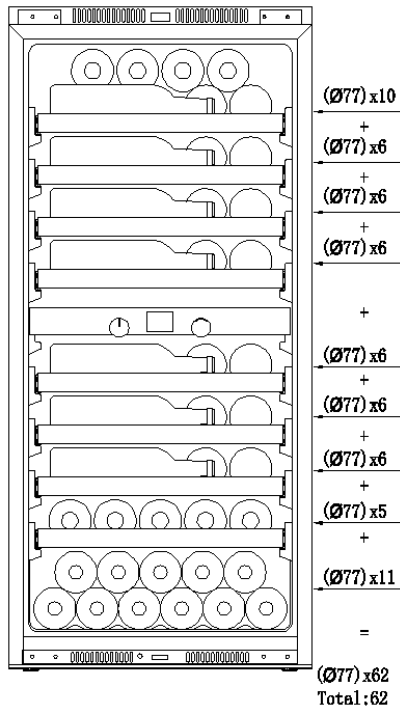
Summe: 53 Flaschen (Bordeaux 11 Flaschen und champagne 42 Flaschen)

Hinweis: Wenn Sie die obere Flaschenschicht entfernen, entfernen Sie nicht das Regal



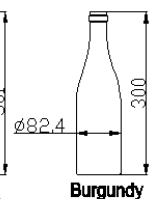
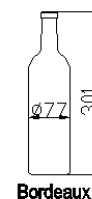
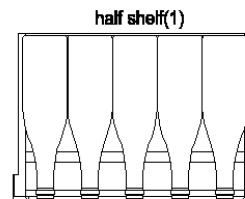
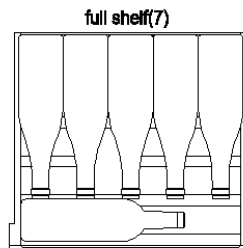
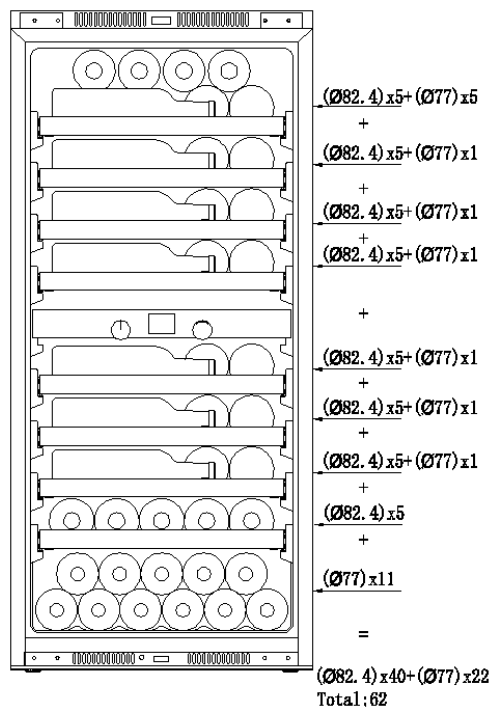
Vorschlag #4

Summe: 62 Flaschen (Bordeaux)



Vorschlag #5

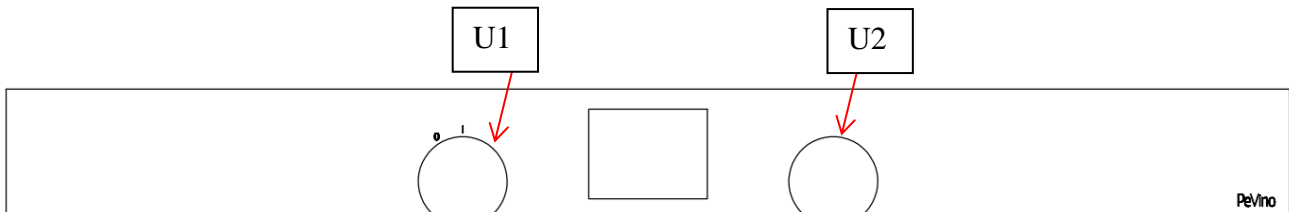
Summe 62 Flaschen (Bordeaux 22 Flaschen und Burgundy 40 Flaschen)



## BEDIENUNG DES WEINKÜHLSCHRANKS

Der Weinkühlschrank muss an einem Ort aufgestellt werden, an dem die Umgebungstemperatur unter 35 °C liegt. Liegt die Umgebungstemperatur über diesem Bereich, kann dies die Leistung des Geräts beeinträchtigen und zu Schwankungen der Innentemperaturen führen. Der eingestellte Temperaturbereich wird möglicherweise nicht erreicht.

### Steuerung des Weinkühlschranks



#### **For PIM41D-BP**

Obere Zone: Die Temperatur kann von 5 °C bis 10 °C eingestellt werden.

Untere Zone: Die Temperatur kann von 10 °C bis 18 °C eingestellt werden.

#### **For PIM48D-BP, PIM72D-BP**

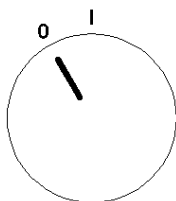
Obere und untere Zone: Die Temperatureinstellung kann von 5 °C bis 18 °C eingestellt werden.

U1: Funktionstaste mit fünf Funktionen, von Symbol 0 nach rechts.

U2: Einstelltaste, Einstellung der gewählten Funktion mit der Taste U1.

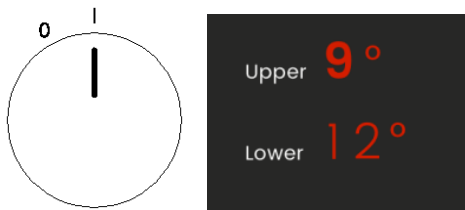
Anleitung für die Tasten U1 und U2.

1. Symbol 0: Ausschalten



Um das Gerät auszuschalten, U1 auf 0 stellen. Die Leuchte hinter der Taste U1 leuchtet rot, aber die restliche Leuchte im Display erlischt.

2. Symbol I: Einschalten und Temperatureinstellung für die obere Zone.



A. Stellen Sie den U1-Knopf auf I, um die Temperatur durch Drehen des U2-Knopfs einzustellen. Wenn sich die Temperatur des Displays von schlank zu fett ändert, können Sie die gewünschte Temperatur für Ihren Wein in der oberen Zone auswählen.

B. Drehen Sie den U2-Knopf nach links, um die eingestellte Temperatur zu verringern, und drehen Sie den U2-Knopf nach rechts, um die eingestellte Temperatur zu erhöhen.

C. Der Temperatureinstellbereich beträgt 5–18 °C für Celsius; und der Temperatureinstellbereich beträgt 41–64 °F für Fahrenheit.

3. Erster Schritt auf der rechten Seite des Symbols I: Ein- und Temperatureinstellung für die untere Zone.

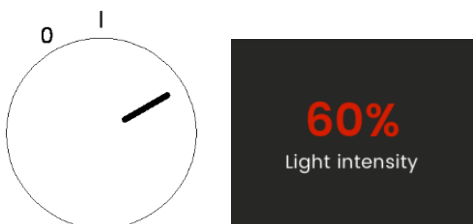


A. Stellen Sie den U1-Knopf auf I, um die Temperatur durch Drehen des U2-Knopfs einzustellen. Wenn sich die Temperatur des Displays von schlank zu fett ändert, können Sie die gewünschte Temperatur für Ihren Wein in der oberen Zone auswählen.

B. Drehen Sie den U2-Knopf nach links, um die eingestellte Temperatur zu verringern, und drehen Sie den U2-Knopf nach rechts, um die eingestellte Temperatur zu erhöhen.

C. Der Temperatureinstellbereich beträgt 5–18 °C für Celsius; und der Temperatureinstellbereich beträgt 41–64 °F für Fahrenheit.

4. Zweiter Schritt auf der rechten Seite des Symbols I: Stellen Sie die Helligkeit des LED-Lichts ein.



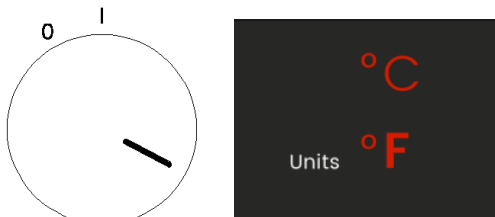
Stellen Sie U1 auf diese Position ein. Es gibt 6 Helligkeitsstufen für das LED-Licht: 0 %-20 %-40 %-60 %-80 %-100 % Wählen Sie zwischen den verschiedenen durch Drehen des U2-Knopfs.

5. Dritter Schritt auf der rechten Seite des Symbols I: LED-Lichtfarbe ändern.



Stellen Sie den U1-Schalter auf diese Position ein. Die LED-Lichtfarbe kann durch Drehen des U2-Knopfs geändert werden. Die gewählte Farbe wird auf dem Bildschirm angezeigt. Blinken und Schrift wird dicker.

6. 6. Vierter Schritt auf der rechten Seite des Symbols I: Temperaturanzeige auswählen, zwischen Celsius und Fahrenheit wählen.






Stellen Sie die Taste U1 auf diese Position ein. Sie können zwischen Celsius und Fahrenheit wählen. Die gewählte Displaytemperatur blinkt und die Schrift wird dicker.


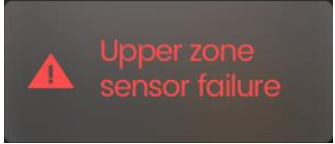
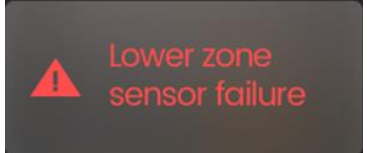

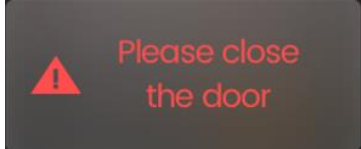



## Temperaturspeicherfunktion

Im Falle eines Stromausfalls kann sich das Gerät die vorherigen Temperatureinstellungen merken, und wenn die Stromversorgung wiederhergestellt ist, kehrt die Schranktemperatur auf die zuvor eingestellte Temperatur zurück.

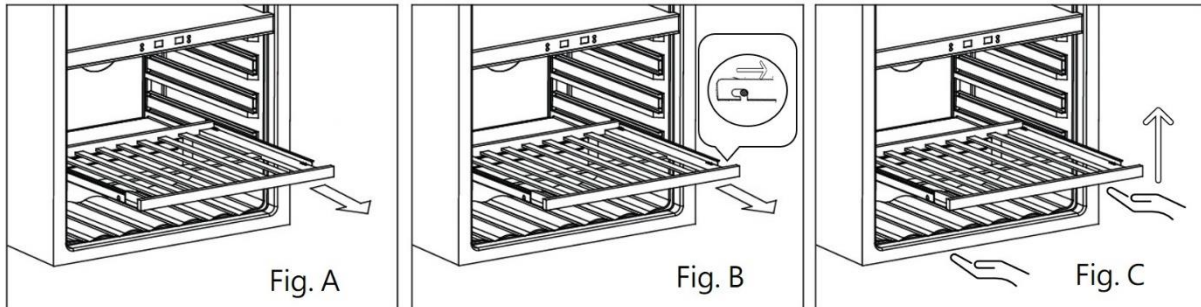
## Störungsmeldungen

SERIE NUMMER	PROBLEM	LÖSUNG	ANZEIGE
1	Das System hat erkannt, dass die Temperatur in der oberen Zone weiterhin zu niedrig war.	Es muss überprüft werden, ob die Kühlanlage defekt ist oder ob dies durch einen Neustart des Geräts behoben werden kann. Wenn das Gerät vollständig ausgeschaltet ist, schalten Sie es wieder ein. Wenn das Problem weiterhin besteht, wenden Sie sich bitte an den Kundendienst, um technischen Support zu erhalten.	 Upper zone temperature too low
2	Das System hat erkannt, dass die Temperatur in der unteren Zone weiterhin zu niedrig ist.	Es muss überprüft werden, ob die Kühlanlage defekt ist oder ob dies durch einen Neustart des Geräts behoben werden kann. Wenn das Gerät vollständig ausgeschaltet ist, schalten Sie es wieder ein. Wenn das Problem weiterhin besteht, wenden Sie sich bitte an den Kundendienst, um technischen Support zu erhalten.	 Lower zone temperature too low
3	Das System hat erkannt, dass die Innentemperatur in der oberen Zone weiterhin zu hoch ist.	Es muss überprüft werden, ob die Kühlanlage defekt ist oder ob dies durch einen Neustart des Geräts behoben werden kann. Wenn das Gerät vollständig ausgeschaltet ist, schalten Sie es wieder ein. Wenn das Problem weiterhin besteht, wenden Sie sich bitte an den Kundendienst, um technischen Support zu erhalten.	 Upper zone temperature too high

4	Das System hat erkannt, dass die Innentemperatur in der unteren Zone weiterhin zu hoch ist.	Es muss überprüft werden, ob die Kühlanlage defekt ist oder ob dies durch einen Neustart des Geräts behoben werden kann. Wenn das Gerät vollständig ausgeschaltet ist, schalten Sie es wieder ein. Wenn das Problem weiterhin besteht, wenden Sie sich bitte an den Kundendienst, um technischen Support zu erhalten.	
5	Das System hat einen Fehler am oberen Kammersensor festgestellt.	Wenn das Gerät vollständig ausgeschaltet ist, schalten Sie es wieder ein. Wenn das Problem weiterhin besteht, wenden Sie sich bitte an den Kundendienst, um technischen Support zu erhalten.	
6	Das System hat einen Fehler am unteren Kammersensor festgestellt.	Wenn das Gerät vollständig ausgeschaltet ist, schalten Sie es wieder ein. Wenn das Problem weiterhin besteht, wenden Sie sich bitte an den Kundendienst, um technischen Support zu erhalten.	
7	Das System hat erkannt, dass die Verbindung zur Hauptplatine nicht hergestellt werden kann.	Wenn das Gerät vollständig ausgeschaltet ist, schalten Sie es wieder ein. Wenn das Problem weiterhin besteht, wenden Sie sich bitte an den Kundendienst, um technischen Support zu erhalten.	
8	Die Tür war zu lange geöffnet.	Die Tür schließen.	
9	Der Aktivkohlefilter des Geräts wurde seit längerer Zeit nicht gewechselt.	Den Aktivkohlefilter austauschen. Der Alarm kann durch eine einfache Aktion am Gerät ausgeschaltet werden.	

### Entfernen eines Regalbodens

- Um Schäden an der Türdichtung zu vermeiden, stellen Sie sicher, dass die Tür vollständig geöffnet ist, wenn Sie die Einlegeböden aus den Schienen ziehen.
- Entfernen der Ablagefächer:
  1. Ziehen Sie die Ablage, die Sie entfernen möchten, vollständig heraus (Abb. A).
  2. Ziehen Sie die Ablage zu sich heran, bis sie sich löst. (Abbildung B)
  3. Halten Sie die Ablage mit beiden Händen fest und nehmen Sie sie heraus (Abb. C).



## Drehen Sie die Tür des Weinkühlschranks

Drehen der Tür von rechts nach links bei PIM41, PIM48 und PIM72

Fig. A

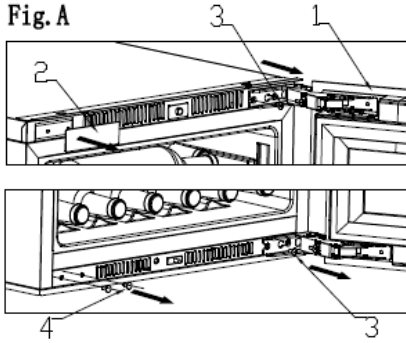


Fig. B

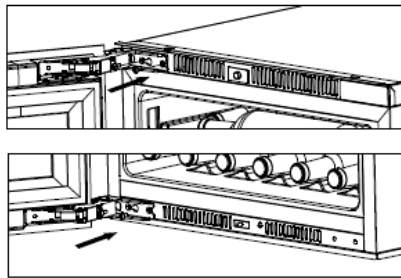


Fig. C

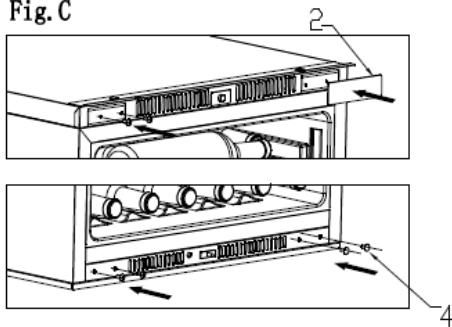


Fig. D

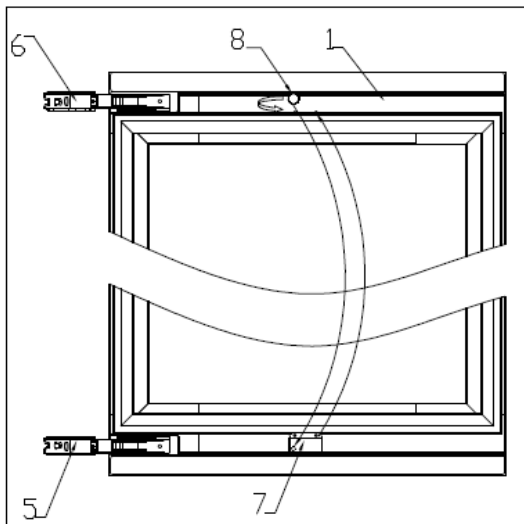
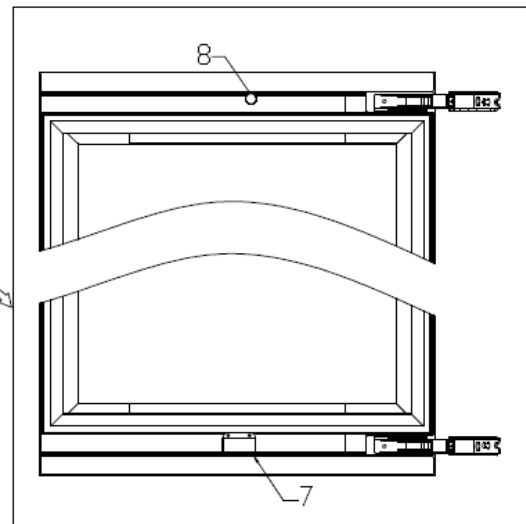


Fig. E



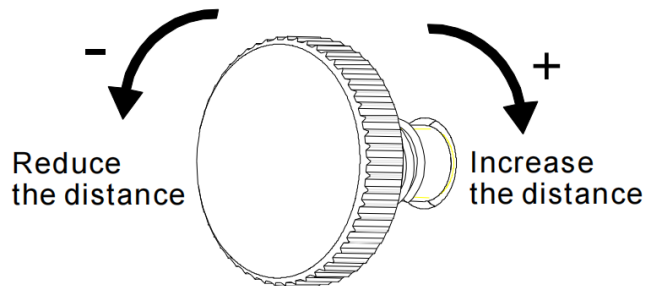
1. Tür 2. Scharnierabdeckung 3. Schraube 4. Ziernäht 5/6. Türscharnier 7. Druckplatte an Türleuchte 8. Schraube M5

1. Tür öffnen und Scharnierabdeckung (2) an der linken oberen Ecke und Ziernähte (4) an der linken unteren Ecke entfernen.
  2. Entfernen Sie alle Schrauben (3) vom oberen Scharnier und nehmen Sie die Tür ab (Abb. A).
  3. Entfernen Sie die Druckplatte von der Türleuchte (7) und montieren Sie sie am oberen Türrahmen, drehen Sie die M5-Schraube (8) nach links, entfernen und montieren Sie den unteren Türrahmen und drehen Sie die Tür um 180 Grad (Abb. D, E).
  4. Setzen Sie die Schrauben in die obere linke Ecke und das untere linke Wachs ein. Ziehen Sie sie nicht zu fest an (Abb. B).
  5. Türscharnier in die Schrauben in der oberen linken Ecke einsetzen. Stellen Sie sicher, dass es gerade ist, und ziehen Sie die Schrauben fest, um sicherzustellen, dass das Türscharnier fest sitzt (Abb. B).
  6. Zum Schluss die Scharnierabdeckung (2) und die Ziernähte (4) in der oberen rechten Ecke und im Kasten in der unteren rechten Ecke wieder anbringen (Abb. C).
- Hinweis: Zum Drehen der Tür benötigen Sie 2 Personen.

### **Automatische Türöffnung**

Die automatische Türöffnung erfolgt durch Drücken der Taste an der Vorderseite des Gehäuses, die die Funktion aktiviert. Der Türabstand kann sich aufgrund von Vibrationen, Fracht oder Ähnlichem ändern. Dies kann dazu führen, dass die Funktion nicht funktioniert. Überprüfen Sie daher den Abstand zwischen dem Taster/der Öffnungsfunktion und der Tür. Bei Bedarf mit dem Knopf anpassen.

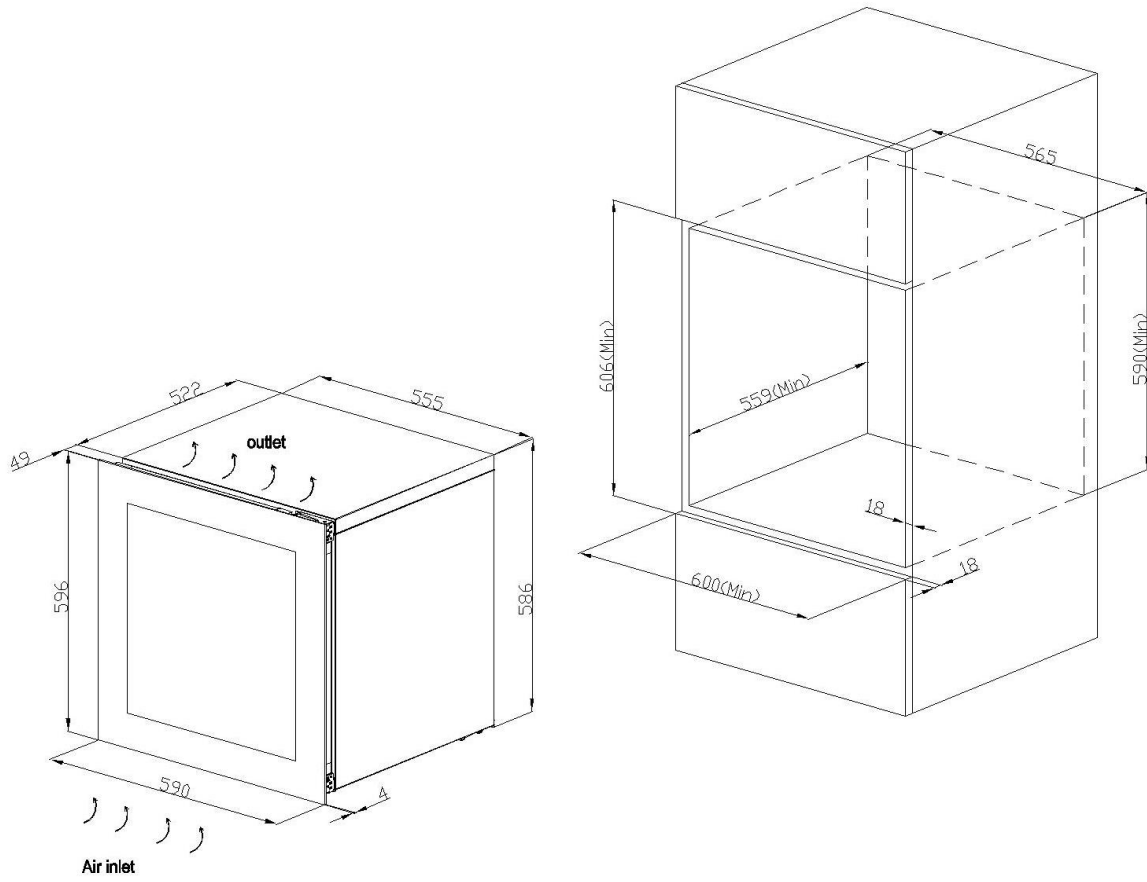
1. Die Tür öffnet sich automatisch, nachdem die Stromversorgung eingeschaltet wurde. Dies zeigt an, dass der Abstand zu gering ist.
2. Es gibt keine Reaktion, wenn die Tür fest gedrückt wird. Dies zeigt an, dass der Abstand zu groß ist.
3. Die Tür öffnet sich automatisch, wenn nur ein leichter Druck ausgeübt wird. Dies bedeutet, dass der Abstand zu gering ist..



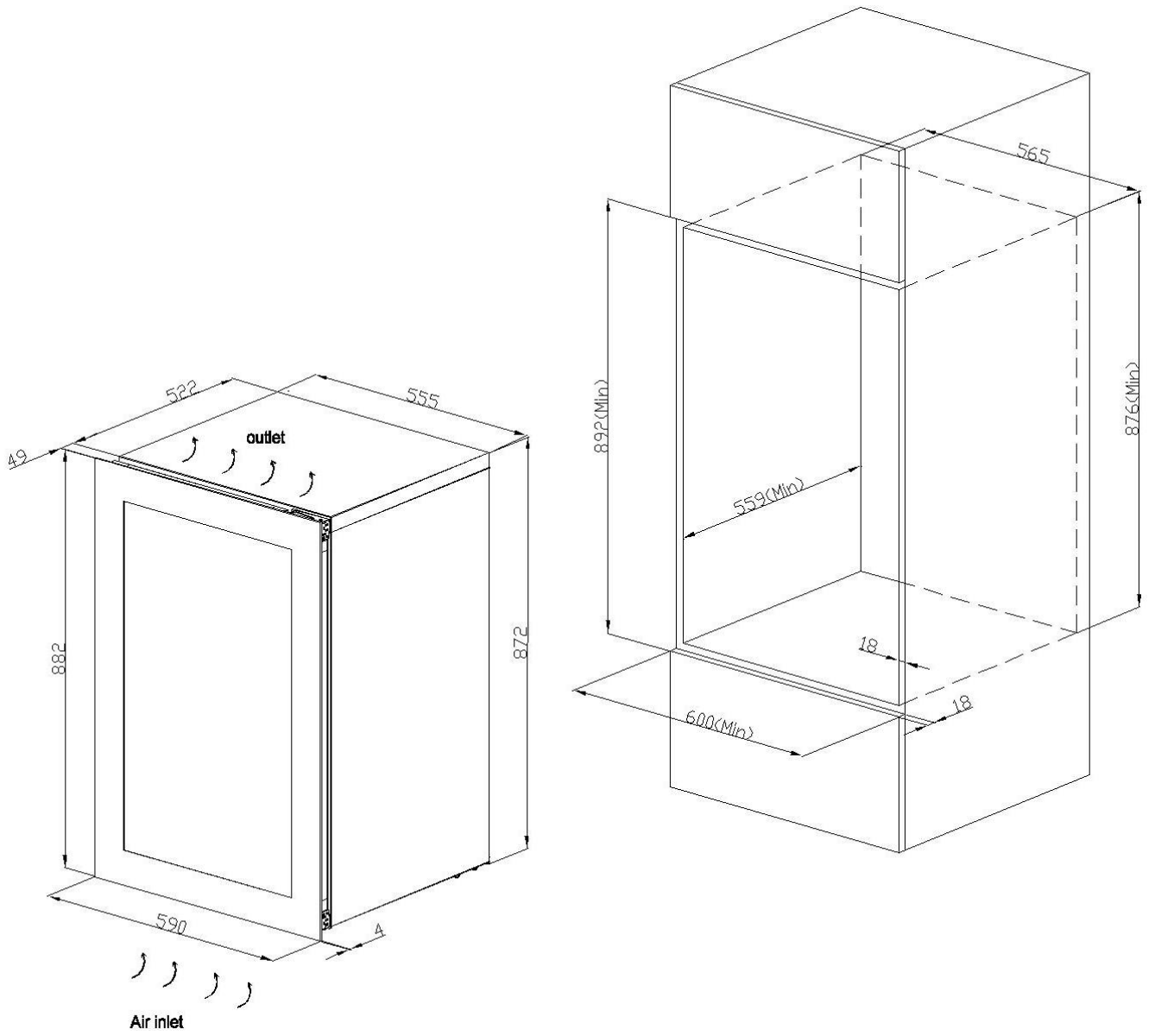
## Adjusting knob

Bitte stellen Sie den Knauf auf Basis des 1/4-Kreises im oben genannten Fall ein: nach links drehen, der Knauf ist aus dem Türrahmen herausgezogen; nach rechts drehen, der Knauf wird in den Türrahmen gezogen..

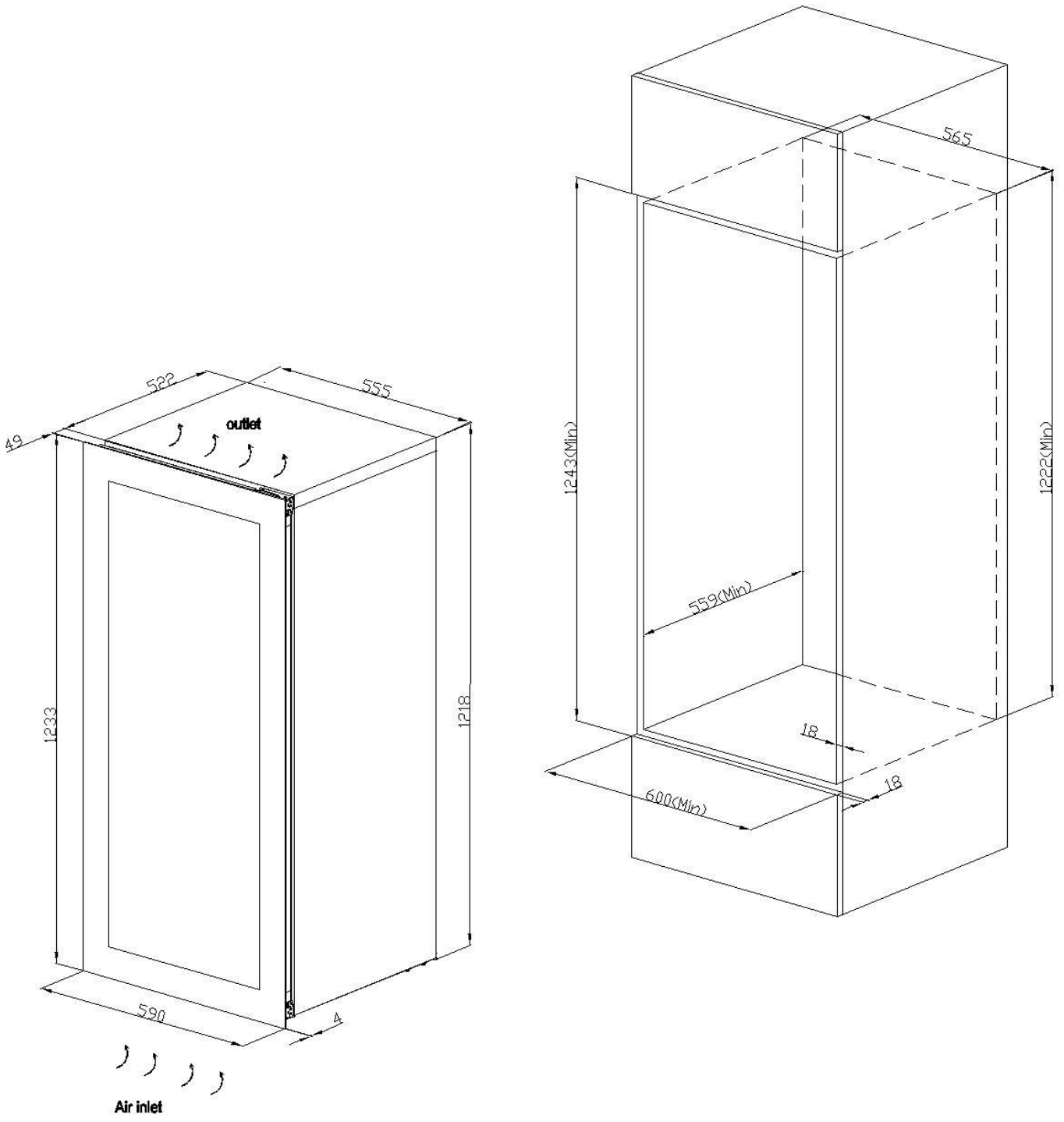
**Einbauspezifikationen**  
For PIM41D-BP



For PIM48D-BP



For PIM72D-BP





## Empfohlene Temperatureinstellungen

Zur Aufbewahrung ALLER WEINE	12 °c bis 14 °c
Champagne NV, Schaum	6 °c
Vintage Champagner	10 °c
Trockenweiß Semillon, Sauvignon Blanc	8 °c
Trockenweiß Gewürstraminer, Riesling	10 °c
Trockener weißer Chardonnay	10 °c
Vintage Chardonnay	14 °c
Süßer weißer Sauternes Monbazillac, Late Harvest Ice Wine	10 °c
Süße weiße Vintage Sauternes	14 °c
Beaujolais	13 °c
Roter Pinot Noir	16 °c
Vintage Pinot noir rot	20 °c
Rød Cabernet, Merlot, Französisch, Australisch, Neuseeland, Chilenisch, Argentinisch, Italienisch, Spanisch, Kalifornisch	20 °c
Rote Grenache, Syrah	16 °c

## PFLEGE UND WARTUNG

### Reinigen Sie Ihren Weinkühlschrank

- Schalten Sie das Gerät aus, ziehen Sie den Stecker aus der Steckdose und entfernen Sie alle Gegenstände einschließlich der Ablagen.
- Reinigen Sie die Innenflächen mit warmem Wasser und einem milden Reinigungsmittel.
- Reinigen Sie die Regale mit einem milden Reinigungsmittel.
- Wringen Sie überschüssiges Wasser aus dem Schwamm oder Tuch ab, wenn Sie den Bereich der Bedienknöpfe oder elektrischen Teile reinigen.
- Reinigen Sie das Außengehäuse mit warmem Wasser und einem milden flüssigen Reinigungsmittel. Gründlich abspülen und mit einem sauberen, weichen Tuch abwischen.

### Stromausfall

- Die meisten Stromausfälle werden innerhalb weniger Stunden behoben und sollten sich nicht auf die Temperatur Ihres Geräts auswirken, wenn Sie die Anzahl der Türöffnungen minimieren. Wenn die Stromversorgung für einen längeren Zeitraum ausgeschaltet bleiben soll, treffen Sie die notwendigen Vorkehrungen, um den Inhalt zu schützen.

### Urlaub

- **Kurzurlaub:** Lassen Sie den Weinkühler im Urlaub in weniger als drei Wochen laufen.
- **Langurlaub:** Wenn Sie das Gerät mehrere Monate nicht verwenden, entfernen Sie alle Gegenstände und schalten Sie das Gerät aus. Reinigen und trocknen Sie das Innere gründlich. Um Geruchs- und Schimmelbildung zu verhindern, die Tür etwas offen stehen lassen, eventuell etwas in die Tür klemmen, damit sie sich nicht schließt.

### Fliegen Sie Ihren Weinkühlschrank

- Entfernen Sie alle Gegenstände aus dem Gerät.
- Entfernen Sie die losen Gegenstände aus dem Weinkühler (z. B. Regale) oder sichern Sie die losen Gegenstände.
- Drehen Sie das verstellbare Bein vollständig nach oben, um Beschädigungen zu vermeiden.
- Tür schließen und mit Klebeband sichern.
- Achten Sie darauf, dass das Gerät während des Transports sicher aufrecht steht. Schützen Sie auch die Außenseite des Geräts mit einer Decke oder Ähnlichem.

### Tipps zum Energiesparen

- Der Weinkühler sollte im kältesten Bereich des Raums aufgestellt werden, fern von Geräten, die Wärme erzeugen, und fern von direkter Sonneneinstrahlung.

**ALLE GERÄTE SIND MIT LED-LEUCHTEN AUSGEFÜHRT. WENDEN SIE SICH ZUM AUSTAUSCH AN DIE SERVICEABTEILUNG.**

## PROBLEME MIT IHREM WEINKÜHLSCHRANK

Sie können viele häufige Probleme mit dem Weinkühlschrank problemlos lösen, was Ihnen die Kosten für eventuelle Serviceaufgaben erspart. Probieren Sie die folgenden Vorschläge aus, um zu sehen, ob Sie das Problem lösen können, bevor Sie sich an den Kundendienst wenden.

### Fehlerbehebungsanleitung

PROBLEM	MÖGLICHE URSACHE
Der Weinkühlschrank funktioniert nicht.	Nicht angeschlossen. Das Gerät ist ausgeschaltet. Der Leistungsschalter hat ausgelöst oder eine Sicherung ist durchgebrannt.
Weinkühlschrank ist nicht kalt genug.	Überprüfen Sie die Einstellung der Temperaturregelung. Die Umgebung kann zu heiß sein. Die Tür ist zu oft geöffnet. Tür ist nicht vollständig geschlossen. Die Türdichtung dichtet nicht richtig ab.
Schaltet häufig ein und aus	Die Raumtemperatur ist wärmer als normal. Dem Weinkühlschrank wurde eine große Menge Inhalt hinzugefügt. Die Tür ist zu oft geöffnet. Tür ist nicht vollständig geschlossen. Die Temperaturregelung ist nicht korrekt eingestellt. Die Türdichtung dichtet nicht richtig ab.
Die Beleuchtung funktioniert nicht.	Nicht angeschlossen. Der Leistungsschalter hat ausgelöst oder eine Sicherung ist durchgebrannt. Glühlampe defekt. Lichtschalter ist „OFF“.
Vibrationswerte	Stellen Sie sicher, dass der Weinkühlschrank waagrecht steht.
Weinkühlschrank scheint zu laut zu sein	Das Rasseln kann durch den Durchfluss des Kühlmittels verursacht werden, was normal ist. Am Ende jedes Zyklus hören Sie Gurgelgeräusche, die durch den Durchfluss von Kältemittel in Ihrem Weinkühlschrank verursacht werden. Das Zusammenziehen und Ausdehnen der Innenwände kann Knister- und Knistergeräusche verursachen. Der Weinkühlschrank ist nicht waagrecht.
Die Tür schließt nicht richtig.	Der Weinkühlschrank ist nicht waagrecht. Die Tür war umgedreht und nicht korrekt installiert. Dichtung ist verschmutzt. Die Einlegeböden sind nicht in Position.
Es bildet sich Kondenswasser an der Tür.	Aufgrund der hohen Luftfeuchtigkeit in diesem Bereich bildet sich Kondenswasser an der Tür. Installieren Sie das Gerät in einem trockenen und/oder klimatisierten Raum mit ausreichender Belüftung.

An der Glastür kann sich Kondenswasser bilden.	Aufgrund der hohen Luftfeuchtigkeit in diesem Bereich bildet sich Kondenswasser an der Tür. Gerät in einem trockenen und/oder klimatisierten Raum mit ausreichender Belüftung aufstellen
--	--