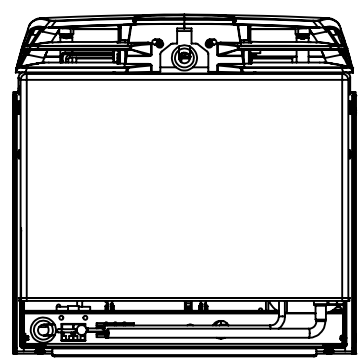
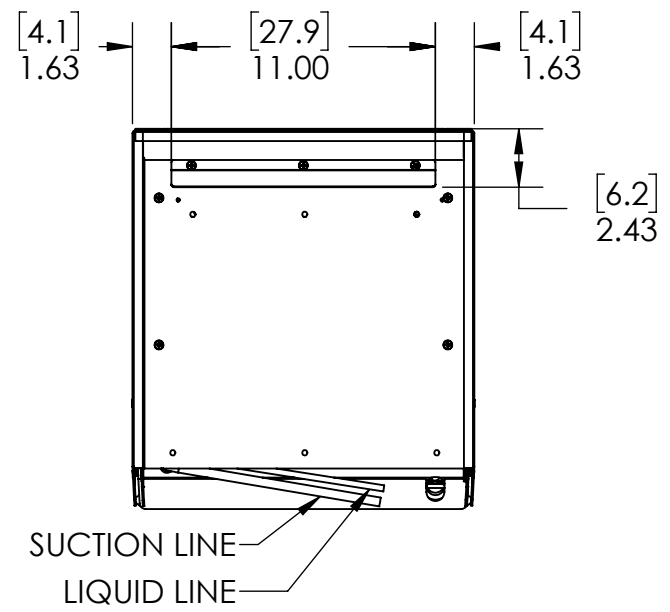
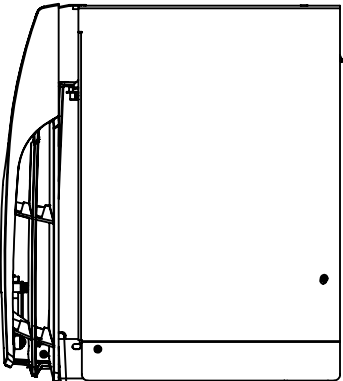
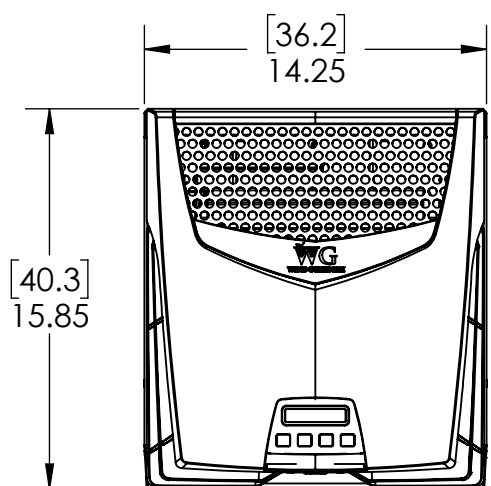
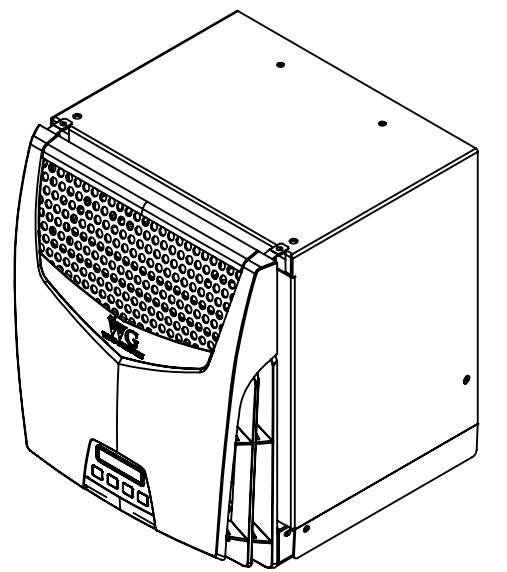
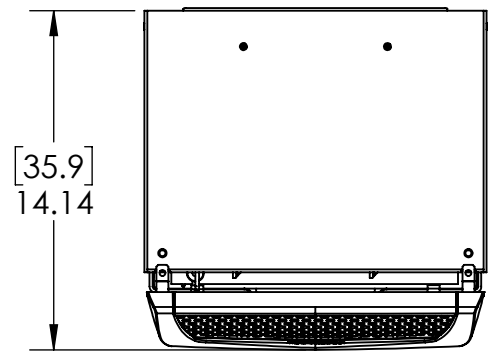


8 7 6 5 4 3 2 1

D  
C  
B  
A


D  
C  
B  
A



DIMENSIONS SHOWN IN [ ] ARE CM

UNLESS OTHERWISE SPECIFIED:		NAME	DATE
DIMENSIONS ARE IN INCHES		DRAWN	NAR 03/08/23
TOLERANCES:		CHECKED	
FRACTIONAL ± 1/16		ENG APPR.	
ANGULAR: MACH ± 2 BEND ± 2		MFG APPR.	
TWO PLACE DECIMAL ± .03			
THREE PLACE DECIMAL ± .015			
INTERPRET GEOMETRIC TOLERANCING PER:	MATERIAL		
COMMENTS:	MODEL:		
-			
DO NOT SCALE DRAWING			

			
7000 PERFORMANCE DRIVE, SYRACUSE, NY 13212, Tel. 315-452-7400			
TITLE:			
SS018			
SIZE	DWG. NO.	REV	
B	SS EVAP	~	
			SHEET 1 OF 1

8 7 6 5 4 3 2 1