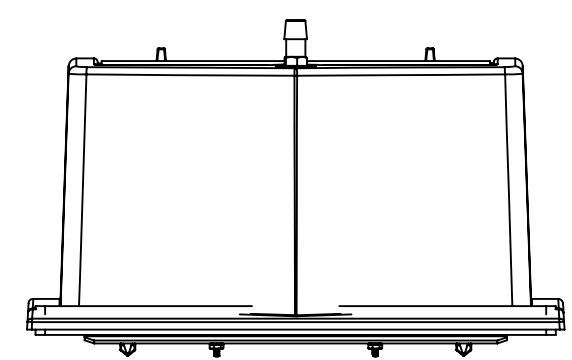
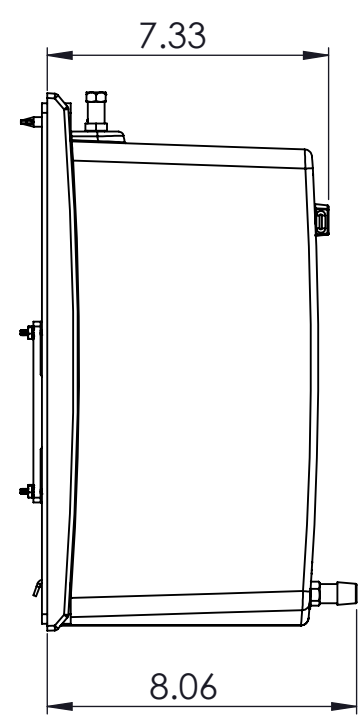
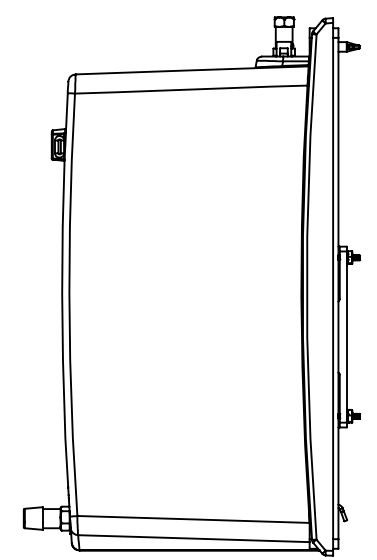
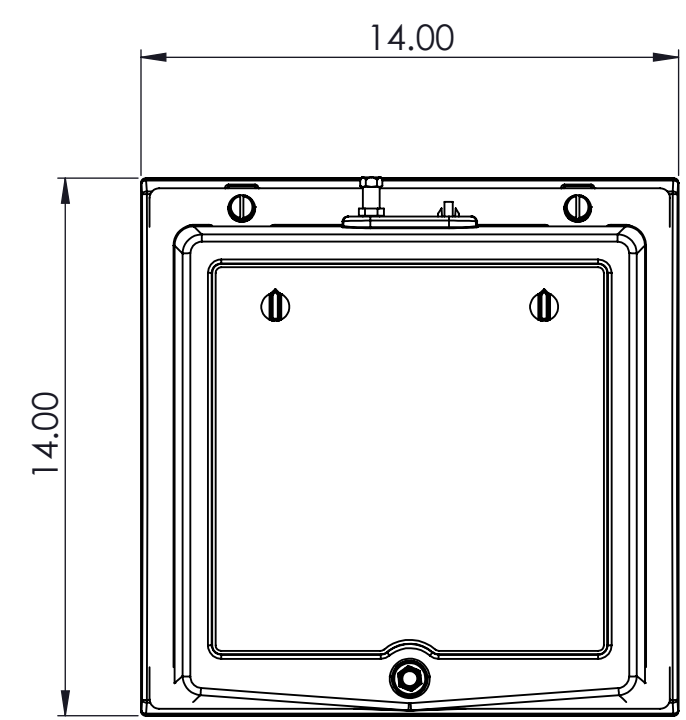
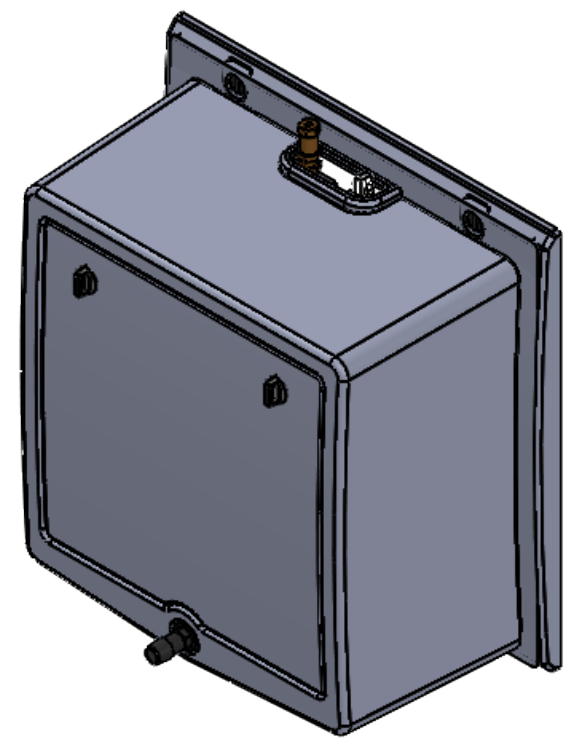
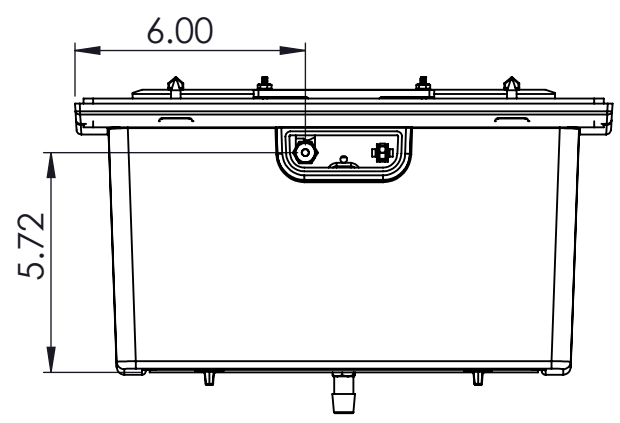


8 7 6 5 4 3 2 1



UNLESS OTHERWISE SPECIFIED:
 DIMENSIONS ARE IN INCHES
 TOLERANCES:
 FRACTIONAL $\pm 1/16$
 ANGULAR: MACH ± 2 BEND ± 2
 TWO PLACE DECIMAL $\pm .03$
 THREE PLACE DECIMAL $\pm .015$

INTERPRET GEOMETRIC TOLERANCING PER:
 COMMENTS:
 -

DO NOT SCALE DRAWING

	NAME	DATE
DRAWN	BMB	8/3/23
CHECKED		
ENG APPR.		
MFG APPR.		
MATERIAL		
MODEL:		

AIR INNOVATIONS®
 7000 PERFORMANCE DRIVE, SYRACUSE, NY 13212, Tel. 315-452-7400

TITLE:
CHASSIS A INTEGRATED HUMIDIFIER

SIZE	DWG. NO.	REV
B	99H0173-20	~

SHEET 1 OF 1

8 7 6 5 4 3 2 1