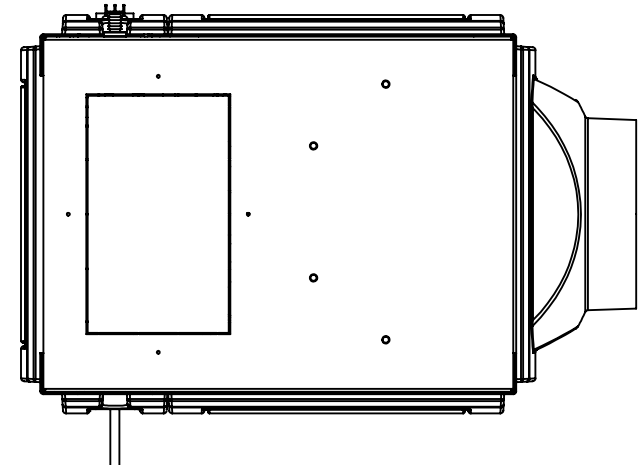


SUCTION LINE
LIQUID LINE



DIMENSIONS SHOWN WITH [] ARE CM

UNLESS OTHERWISE SPECIFIED:		NAME	DATE
DIMENSIONS ARE IN INCHES	DRAWN	NAR	03/08/23
TOLERANCES:	CHECKED		
FRACTIONAL \pm 1/16	ENG APPR.		
ANGULAR: MACH \pm 2 BEND \pm 2	MFG APPR.		
TWO PLACE DECIMAL \pm .03			
THREE PLACE DECIMAL \pm .015			
INTERPRET GEOMETRIC TOLERANCING PER:	MATERIAL		
COMMENTS:	MODEL:		
-			
DO NOT SCALE DRAWING			



TITLE:		
DS025		
SIZE	DWG. NO.	REV
B	CHASSIS A EVAP SPLIT	~
SHEET 1 OF 1		